

マルチパーカッションラック

MULTI-FRAME PARTS

MULTIPLER BEFESTIGUNGSRAHMEN

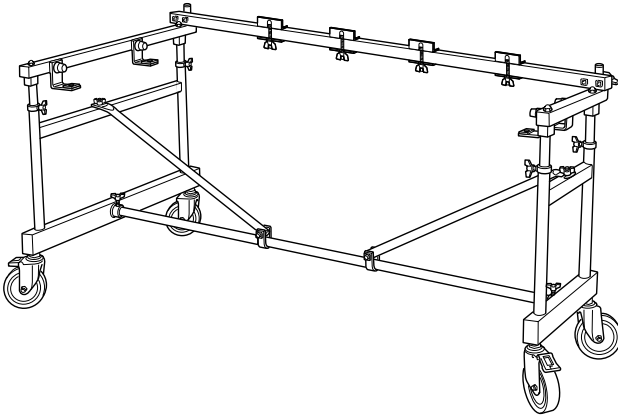
CHÂSSIS MULTI SUPPORT

SOPORTE BASTIDOR MULTIPERCUSIÓN

組合支架 (配件)

멀티 프레임 부품

RD500



シロフォン

XYLOPHONE

XYLOPHON

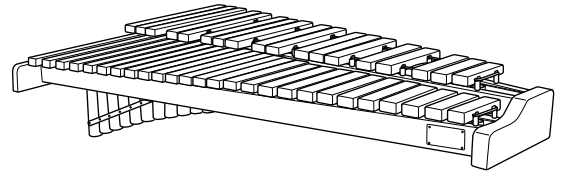
XYLOPHONE

XILÓFONO

木琴

실로폰

YX500FT



『安全へのこころがけ』および『ガススプリング取り扱いに関する注意事項』を必ずお読みください。

Carefully read the contents of this manual, especially all precautions.

Lesen Sie unbedingt die „Vorsichtshinweise für die Handhabung der Gasfeder“ und die „Vorsichtsmaßnahmen“.

Lire attentivement les paragraphes « Précautions de manipulation du ressort à gaz » et « Précautions à observer ».

Lea sin falta las “Precauciones para la manipulación del muelle de gas” y las “Precauciones”.

务请阅读“气弹簧支架操作注意事项”和“注意事项”。

“가스 스프링 취급상의 주의사항” 및 “주의사항” 을 반드시 읽어 주십시오 .

Precautions

Before using please thoroughly read the following precautions, instructions and explanations on handling and using the instrument safely.

When assembling or disassembling the rack or xylophone, please observe the following precautions. Especially in the case of children, a responsible adult should provide instruction on the proper use and treatment of the instrument.

Preventing Injuries—Obey all precautions described below

About the Icons

Icons are used in this section to promote the safe and proper use of this product and to prevent harm and property damage to you and others. Please fully understand the meaning of the icons before reading the manual.



This icon indicates actions that are prohibited.



This icon urges you to pay caution (includes dangers and warnings).



This icon indicates instructions that should be strictly followed



Warning

Disregard of the warnings with this mark or misuse may result in death or serious injury.

Instrument Placement



Do not place the instrument on an unstable surface such as a slope or uneven surface.
The instrument may fall or overturn resulting in injury.

Instrument Handling



Do not lean on or climb on the instrument.
The instrument may fall causing serious injury.



Do not play around the instrument.
It may cause the instrument to fall over. Bumping into the instrument may result in injury.



Keep away from the instrument during earthquakes.
Strong tremors can cause the instrument to move about or overturn.



Do not mount any instruments other than those recommended for mounting on the RD500.

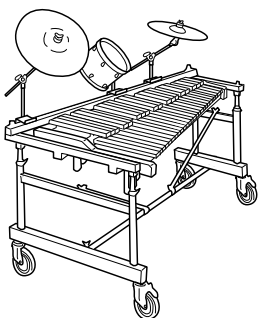
The RD500 rack is specially designed for use with the YX335 and YX500FT. Do not modify any instrument for installing on the rack. Doing so can result in the instrument dropping off resulting in serious injury. The YX500R and YX500F cannot be mounted on the rack.



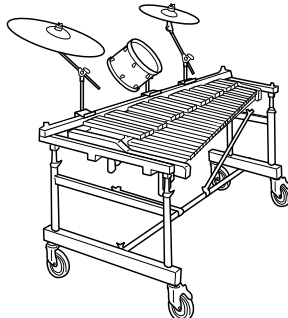
Do not attach optional instruments to the rack with poor balance.

Because the rack can overturn or the optional instruments can drop off, this is extremely dangerous. Always make sure that the instruments are attached to the rack using the specially designed clamps, and that they are positioned to provide good balance on the rack. Attaching instruments in a poorly balanced manner outside of the rack frame or rack pipe can cause the instrument to overturn.

[Good balance]



[Poor balance]



Always assemble/disassemble the instrument on a flat surface.

When assembling or disassembling the rack and attaching or removing the optional instruments, always work on a flat, solid surface. Working on an unstable surface such as a shaky table or sloped surface can cause the instrument to overturn.



Make sure that all nuts and bolts are firmly tightened before using the instrument.

Firmly tighten all nuts and bolts on each part after their positions have been determined. Using the instrument with loose nuts or bolts can cause the rack to overturn or instruments to drop off. Make sure that all nuts and bolts are firmly retightened before using the instrument.



Always remove the optional instrument before adjusting its height or angle.

When adjusting the height or angle of heavy optional instruments such as marching bells, chimes, etc., remove the instruments first and then adjust. Adjusting the instruments while attached to the rack can result in pinched hands or fingers causing injury.

Instrument Movement



Do not run while pushing the instrument.

The instrument may become impossible to stop, crash into a wall, and cause serious injury.



Never carry the assembled instrument up or down the stairs.

Parts may fall off, or you may lose balance resulting in serious injury. Only move the instrument after it has been disassembled.



Never try lifting the instrument by yourself when moving the instrument.

Lifting the instrument by yourself can result in pinched limbs, back injury, or other serious injury. The instrument should always be moved using at least two persons holding the rack by the leg center rail (see page 11) with both hands.

* The YX500FT weighs approximately 27kg. When attached to the RD500, their combined weight is 60kg.



When moving the instrument on its casters, hold the upper leg section and push forward slowly across smooth, flat surfaces.

Moving the instrument on sloped, uneven, or graveled surfaces can result in the instrument overturning or running away out of control.



Caution

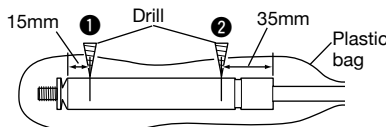
Disregard of cautions with this mark or misuse may result in personal injury or the loss of personal property.

Handling	
<p> Only use genuine Yamaha clamps. Never use clamps that do not properly fit on the rack pipe, etc. when making attachments. Doing so can cause the rack to overturn or instruments to fall off resulting in serious injury.</p>	<p> Be careful not to pinch your fingers or hands when assembling. Doing so may cause injury due to pinched fingers, etc. When assembling legs, reinforcement stays, and resonator pipes, use two persons taking special care to double-check each other as the assembly proceeds.</p>
<p> Never loosen the slide guide fixing bolt when the xylophone is not mounted on the rack. Never loosen the slide guide fixing bolts when the xylophone is not mounted on the rack or when the legs are not attached to the rack (except for when removing the gas spring). Doing so is extremely dangerous because the rack frame (see page 11) can rise suddenly causing an accident or injury.</p>	<p> Always make sure that the wing bolts and wing nuts are firmly tightened to prevent parts from becoming loose during performance. Using the instrument with loose bolts and nuts can cause trouble during performance such as unexpected movement, etc., or parts falling off during transport resulting in injury.</p>
<p> Limits to attaching optional instruments The total weight of optional instruments must not exceed 18kg. Attaching more weight can result in the entire rack overturning, becoming damaged, or the optional instruments falling off or becoming damaged. This is extremely dangerous.</p>	<p> Refer to the instructions when assembling the rack. Height adjustment should always be performed with at least two persons. Make sure that all procedures described in the manual are followed when assembling the rack and attaching or removing the xylophone. Disobeying the procedures can result in parts falling off from the rack during assembly, which can be dangerous. Also, height adjustment should always be performed by at least two persons. If it is absolutely necessary to adjust height by one person, do not make adjustments of more than two notches on the slide guides at a time (see page 13).</p>
<p> Do not touch cracked tone bars. Cracked tone bars have sharp edges that can cut hands. Please change cracked tone bars as soon as possible.</p>	
<p> Do not use the mallets for any other purpose than playing the instrument. Misuse of the mallets may result in unexpected injury or accidents.</p>	

Precautions Regarding the Gas Spring

Please observe the following instructions for proper handling of the gas spring.

* Refer to page 13 for gas spring removal.

Handling	
<p> Caution Disregard of cautions with this mark or misuse may result in personal injury or the loss of personal property.</p>	<p> Danger! Disregarding any caution with this mark can place you in imminent danger resulting in death or serious injury.</p>
<p> Never lubricate the moving parts on the gas spring. Lubricating the gas spring will reduce the durability of the seal and cause oil leakage.</p>	<p>Cautions when discarding the gas spring</p> <p> Pressurized nitrogen gas is sealed inside of the gas spring. Be sure to release the gas before discarding the gas spring, or an explosion can occur, causing injury.</p>
<p> Do not expose to impacts. Doing so will cause oil leakage, malfunction, or damage.</p>	<p>[Cautions]</p> <ul style="list-style-type: none"> • Do not push. • Do not cut the gas spring. • Do not throw the gas spring into a fire. • Do not make a hole anywhere in the gas spring other than in the specified positions (1 and 2 in the figure below).
<p> Never dismantle. High-pressure gas is sealed inside of the gas spring, so any attempt to disassemble it is extremely dangerous.</p>	<p>[Discarding procedure]</p> <ol style="list-style-type: none"> 1. Put the gas spring in a plastic bag. Using a drill of 2 to 3 mm, make a hole 1 from outside of the plastic bag at the position as specified in the figure to release the gas and oil and then make a hole 2 at the position as specified. (Be sure to make holes in the order of 1 and 2.) 2. If a vinyl bag is not used, the oil and drill chips will spread. (In such a case, wear eye protection glasses.)
<p> Do not bend. The rod is susceptible to bending from directional loads. A poorly balanced load placed on the rod can result in bending and malfunction.</p>	<p></p>
<p> Do not hit. Hitting the piston rod or cylinder can shorten the life of the seal or result in malfunction.</p>	<p>* Drill two holes, as shown above, to release the gas before discarding the gas spring.</p>
<p> Do not expose the instrument to excessively high or low temperatures. Doing so can cause malfunction. Use the instrument only in temperatures ranging from -20°C to 50°C.</p>	
<p> Do not expose the instrument to rain, moisture or dust. Doing so can cause malfunction.</p>	
<p> Do not use excessive force to lift the side frame, which can pull the gas spring out of the leg. Doing so can cause malfunction or damage the instrument.</p>	
<p> Do not apply a high tensile load on the gas spring. Doing so can cause malfunction or damage the instrument.</p>	

- In the event of a failure, stop using the instrument and contact the shop where you purchased it. If your dealer is unable to assist you, please contact Yamaha directly as per enclosure.

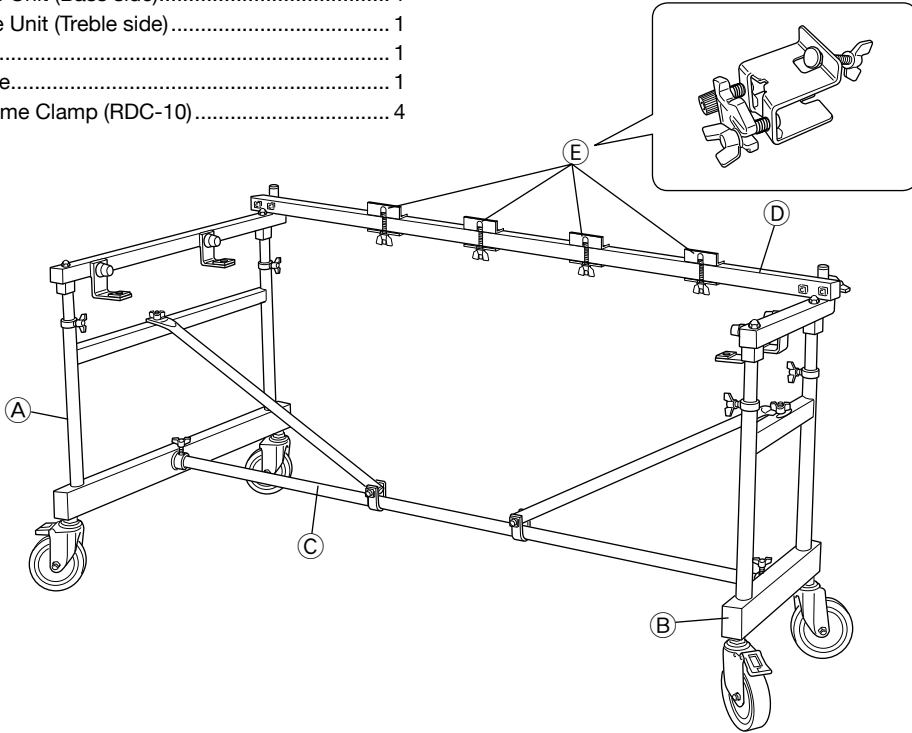
Confirmation of Packing Contents

Before assembling the frame, please take a look at the parts list and make sure that all of the required parts are accounted for.

* If any parts are missing, please contact the dealer where the frame was purchased.

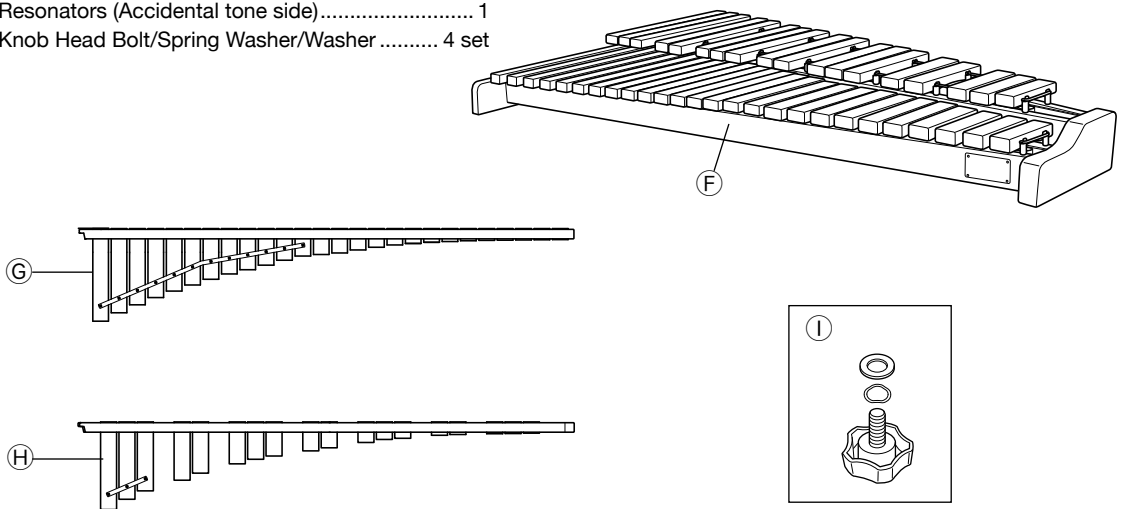
● RD500 (Frame Parts only)

- (A) Leg Base Unit (Bass side)..... 1
- (B) Leg Base Unit (Treble side)..... 1
- (C) Stay..... 1
- (D) Rack pipe..... 1
- (E) Multi-Frame Clamp (RDC-10)..... 4



● YX500FT (Xylophone set)

- (F) Xylophone Main Unit 1
- (G) Resonators (Natural tone side) 1
- (H) Resonators (Accidental tone side)..... 1
- (I) Knob Head Bolt/Spring Washer/Washer 4 set



Assembly

First, assemble the Multi-Frame (RD500) then attach the xylophone set (YX500FT) onto the frame.

! For safety reasons, make sure that assembly of the Multi-Frame and attaching of the instrument is carried out with two or more persons, and that you assemble the product in an area with adequate space.

1 Fully insert the end of stay **C** with its notch facing up into the joint on leg base **A**, then firmly tighten the wing bolt.

* Pay attention to the stay's orientation when attaching. Parts are marked with letters to assist with assembly. (Refer to the diagram below.)

2 Remove the wing nut, washers, and spring washers on the center rail of the bass side leg base **A**, slide the C-shaped end of the diagonal stay support **C** onto the bolt on the center rail then tighten the wing nut firmly with washer and spring washer.

3 Use the same procedure to connect the clamp and diagonal stay support on stay **C** to the center rail on the treble side leg base **B**.

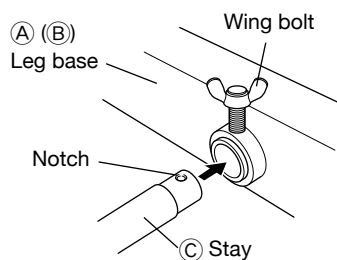
4 Loosen the clamp screws on both ends of the rack pipe **D** and fasten the clamps onto the poles on the upper leg section.

The rack pipe can be attached so its clamp side is either on the audience side or the player's side of the pole. Decide how much space you need between the rack pipe and tone bars and attach the rack pipe accordingly.

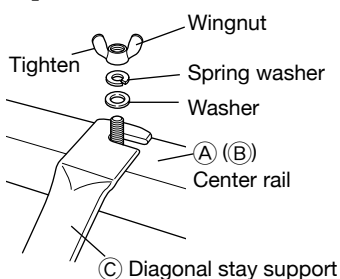
* Please make sure that the YAMAHA logo is not placed upside-down.

5 Firmly tighten all bolts.
Assembly of the Multi-Frame is complete.

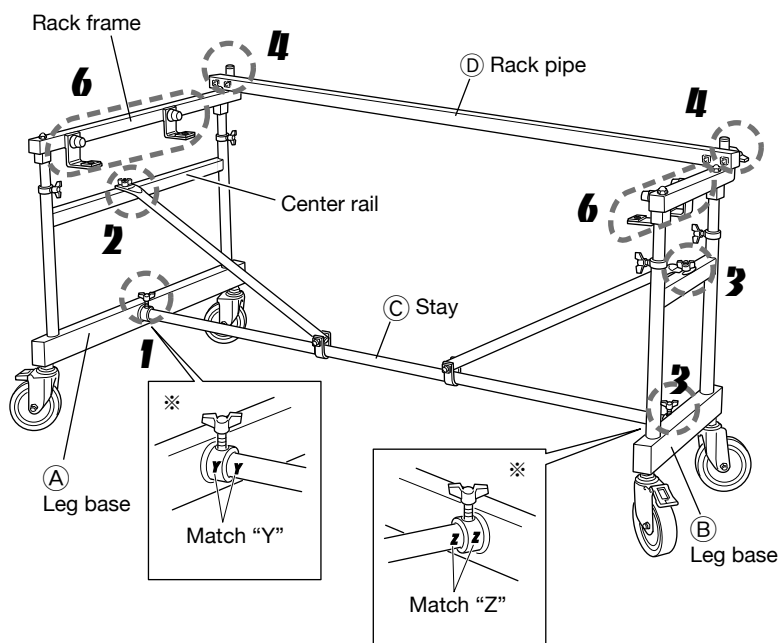
1,3



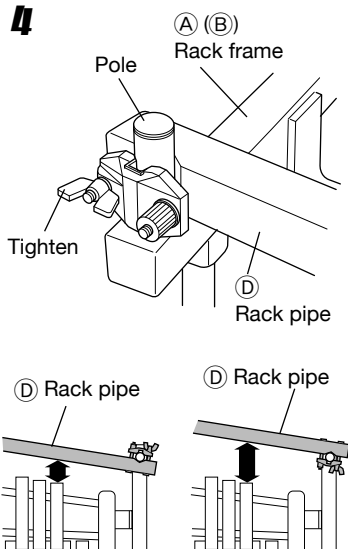
2,3



! When disassembling the multi-percussion rack, follow the assembly steps in reverse order.



4



Next, attach the instrument to the rack.

* Do not let the resonators hit against the legs or other part of the frame during their installation.

6 Align the bolt holes on the underside of the sideboard with the holes on the L-shaped bracket attached to the rack frame and set the instrument (F) onto the rack.

Use the white marker* on the sideboard (on its outer side) as an aid when aligning. The marker should be centered on the L-shaped bracket for proper alignment.

* The YX335 does not have a white marker.

7 Use the supplied bolts, washers, and spring washers (I) attached to the instrument to attach the instrument from the underside of the rack (4 locations).

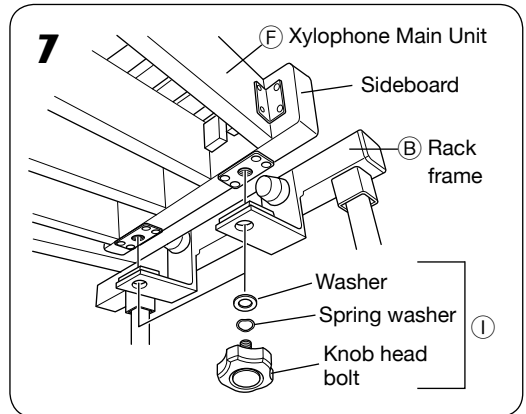
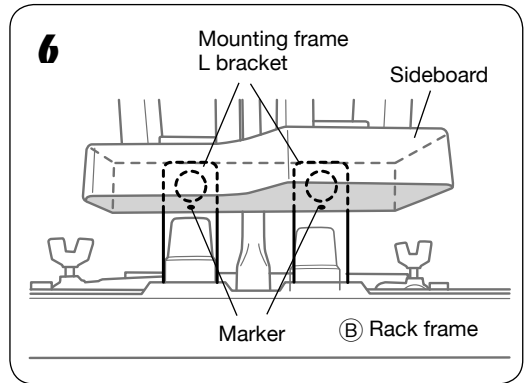
8 First pass the resonators through the instruments from underneath the rail and then mount the treble end into the resonator rest.

9 Next, mount the bass side. Pass the end of the resonators through the space in the center of the resonator rest as shown in the diagram, and fit it into the notch in the resonator rest.

When room temperature is 73.4°F (23°C) and above, set the resonators into the shallow notches of the resonator rest (Diagram A).

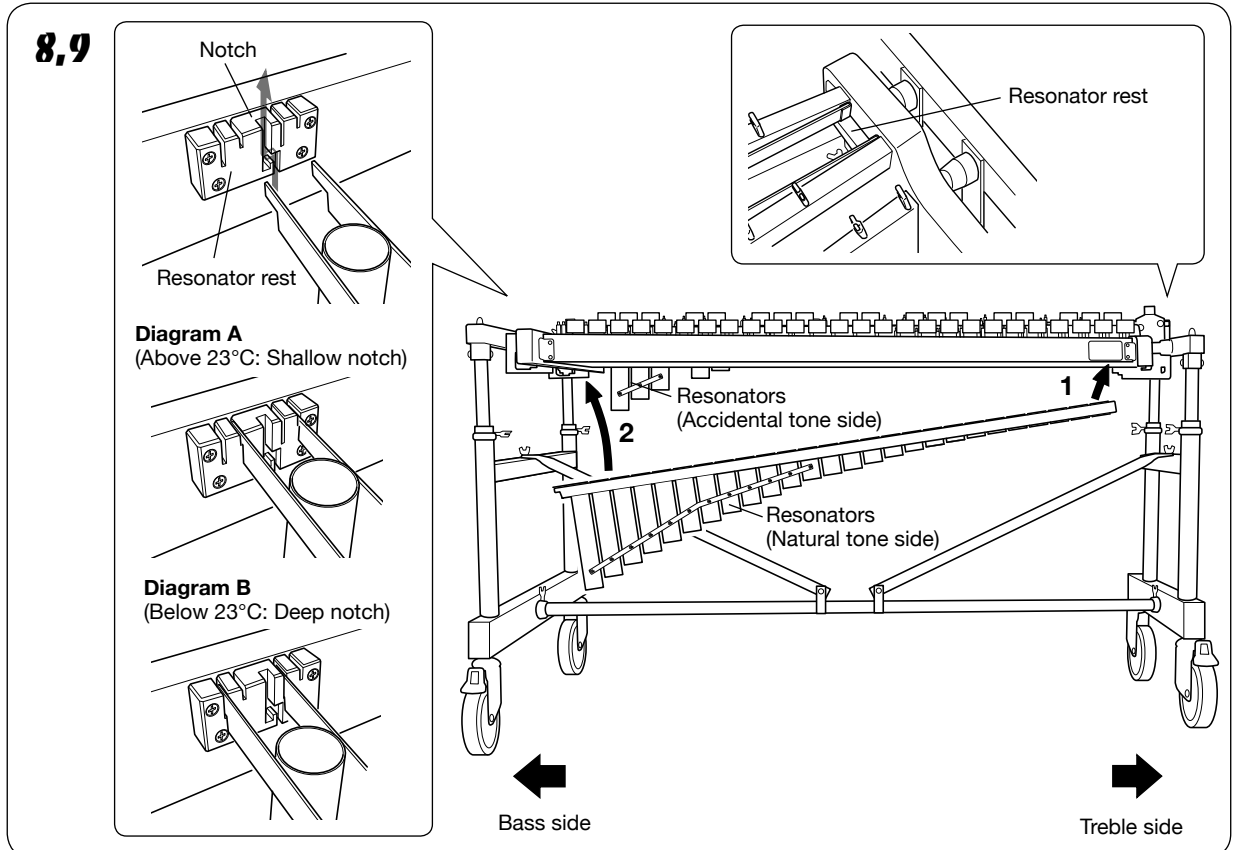
When room temperature is 73.4°F (23°C) and below, set the resonators into the deeper notches of the resonator rest (Diagram B).

10 Use the same procedure to install the other set of resonators.



After assembly is complete, firmly tighten all bolts.

! To disassemble, follow the assembly steps in reverse order.



Adjusting the Height of the Playing Surface

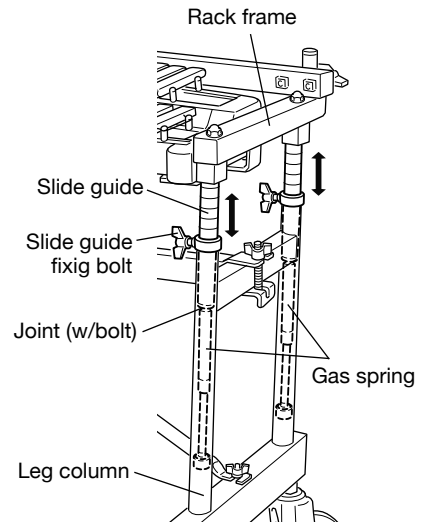


Never loosen the slide guide fixing bolts when the xylophone is not mounted on the rack or when the legs (A) and (B) are not attached to the rack.



When adjusting the height of the playing surface, make sure that adjustment is carried out by at least two people. If a single person must unavoidably carry out adjustment, do not move the guides any more than 2 slide guide memory positions at a time.

1. While supporting both bass and treble sides of the frame with your hands, loosen the slide guide fixing bolts.
2. Gas springs in the rack slide guides will cause the instrument to rise automatically. After adjusting the instrument to the required height, tighten the fixing bolts firmly. Use the guides on the slide guides to adjust the playing surface so it is parallel to the floor.



Removing the Gas Springs



Never remove the gas springs except when discarding.

1. Loosen all four slide guide fixing bolts when the instrument is mounted on the rack, raise the rack frame all of the way up, then tighten the four slide guide fixing bolts. (Refer to the diagram shown above for part names.)
2. Remove the instrument from the rack and disassemble the rack so that the leg sections are removed from the frame. (Reverse the order of the instructions in the assembly section on pages 11-12.)
3. Loosen the two slide guide fixing bolts and slide the slide guide sections out of the leg column.
4. Loosen the gas spring attached to the bottom of the slide guide and remove.

* The two parts are threaded and screw together.

Specifications

■ RD500

● Height Adjustment:

Gas spring type

85 – 100 cm (33-7/16" x 39-3/8")

(With the YX500FT attached:

Measured from the accidental tone bars)

83 – 98 cm (32-11/16" x 38-9/16")

● Caster Diameter: 150 mm (5-7/8")

● Dimensions (W x D): 164 x 107 cm (64-9/16" x 42-1/8")

(Full depth including casters)

● Weight: 33 kg (72 lbs 12 oz)

■ YX500FT

● Range: F45 – C88 (3-1/2 octave)

● Standard Pitch: 442Hz

● Bars: Acoustalon (FRP), Brown Urethane Finish

● Bar sizes: 38.1 mm (1-1/2") wide 23 mm (7/8") thick

● Resonators: Steel Pipe, Light Gold Acrylic Coating

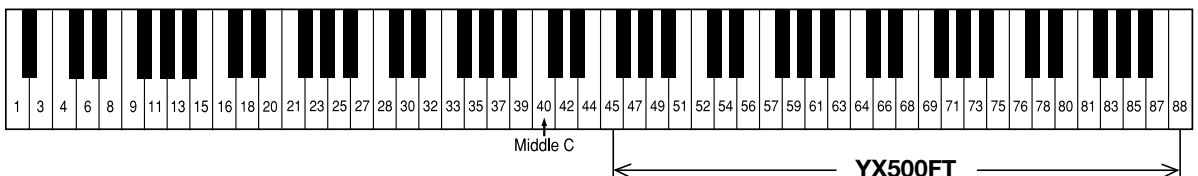
● Frame: Beech, Black Enamel Matte Finish

● Dimensions (W x D x H):

137.5 x 75 x 31 cm (54-3/8" x 29-1/2" x 12-3/16")

● Weight: 27 kg (59 lbs 8 oz)

■ Scale Range



* Specifications subject to change without notice.

