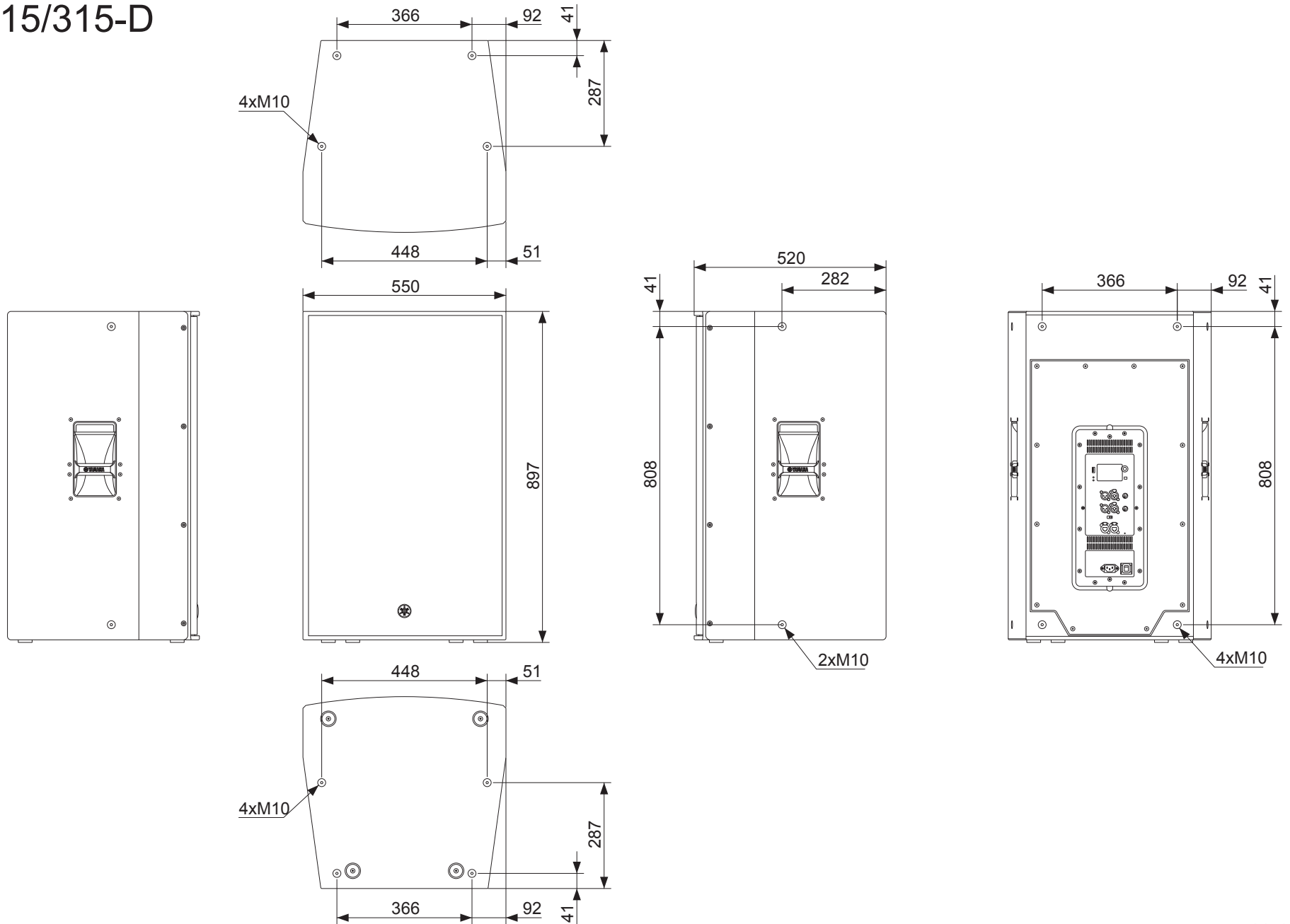


Dimensions / 寸法図 (1/6)

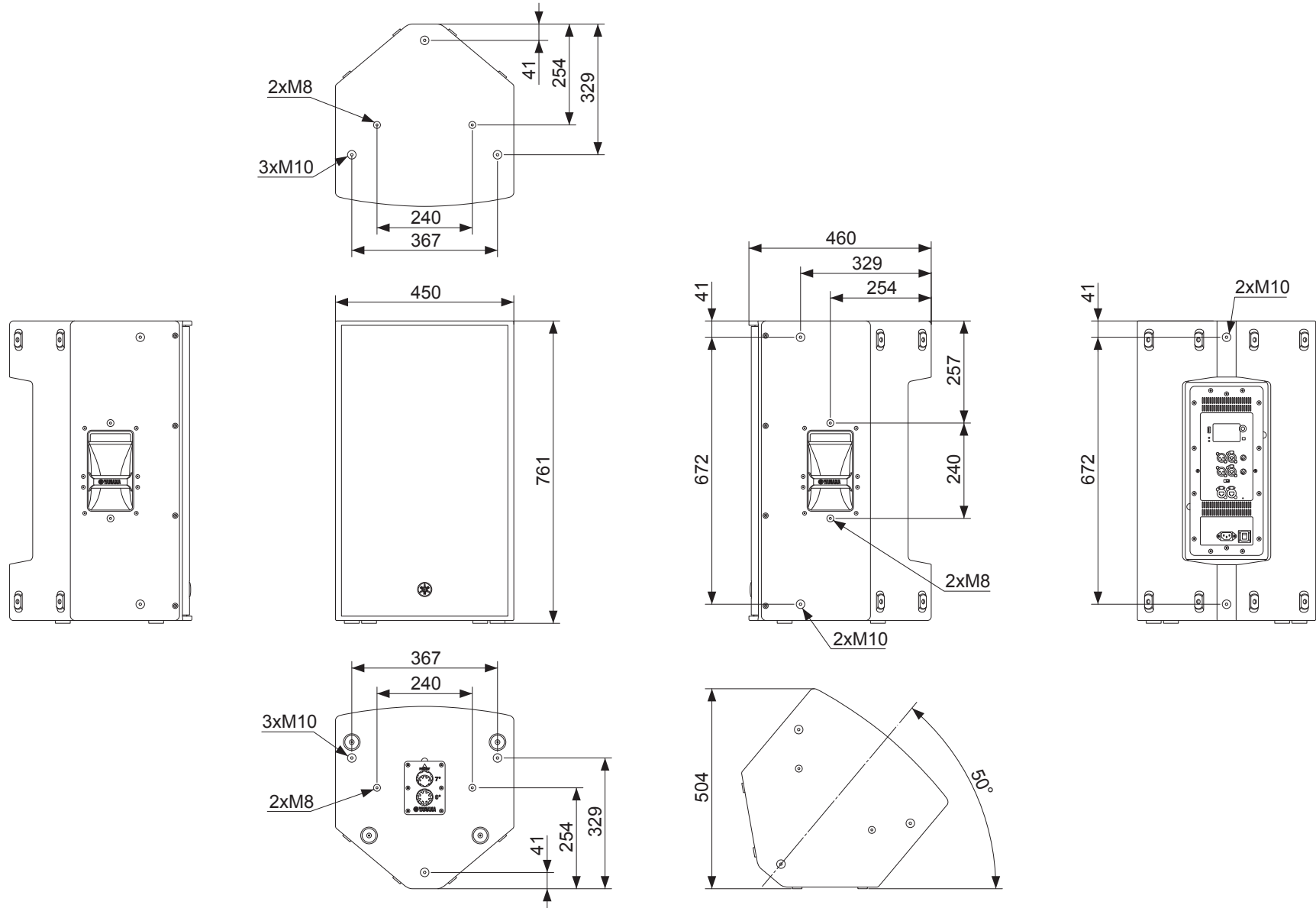
DZR315/315-D



Unit: mm

Dimensions / 寸法図 (2/6)

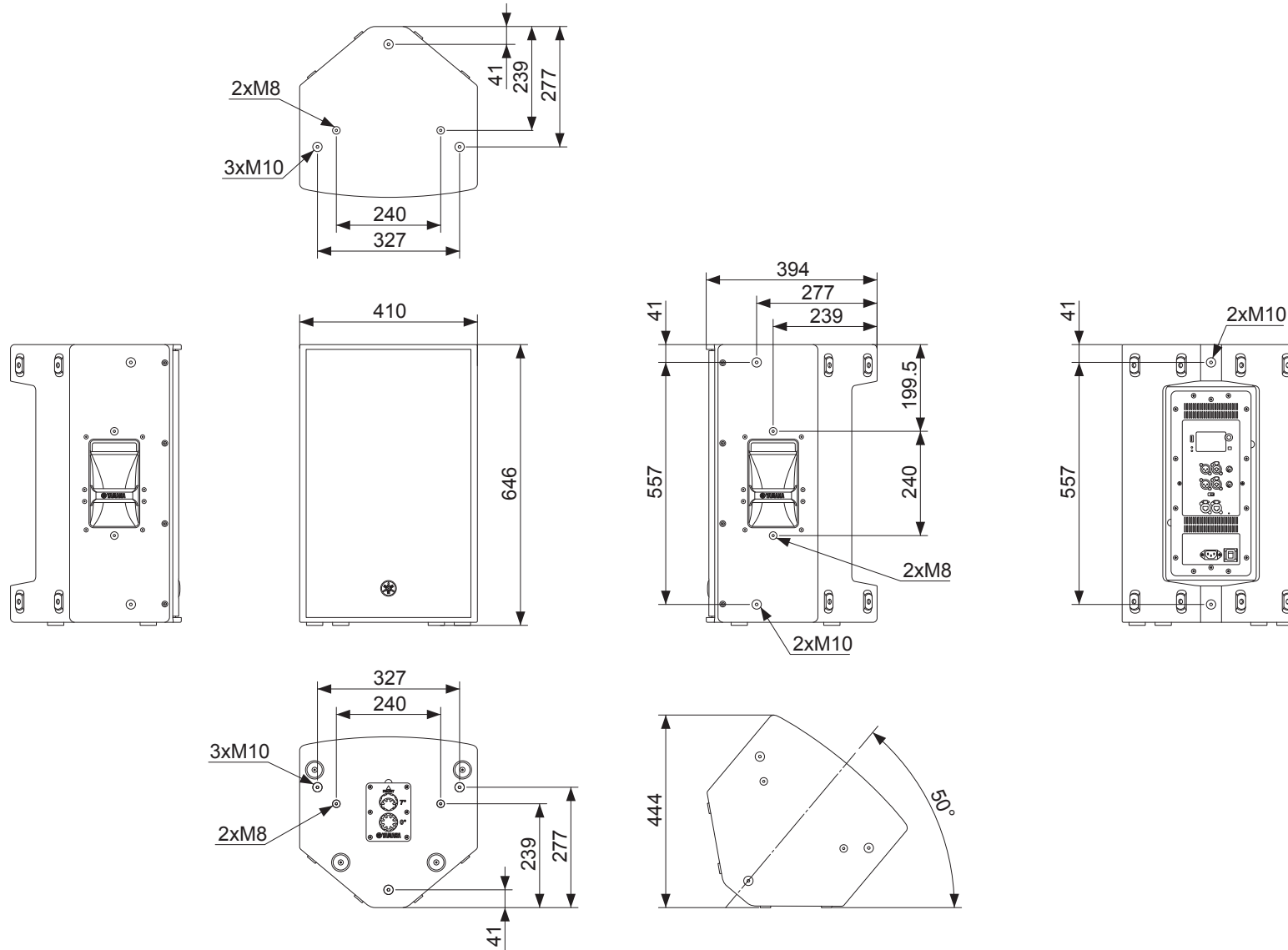
DZR15/15-D



Unit: mm

Dimensions / 寸法図 (3/6)

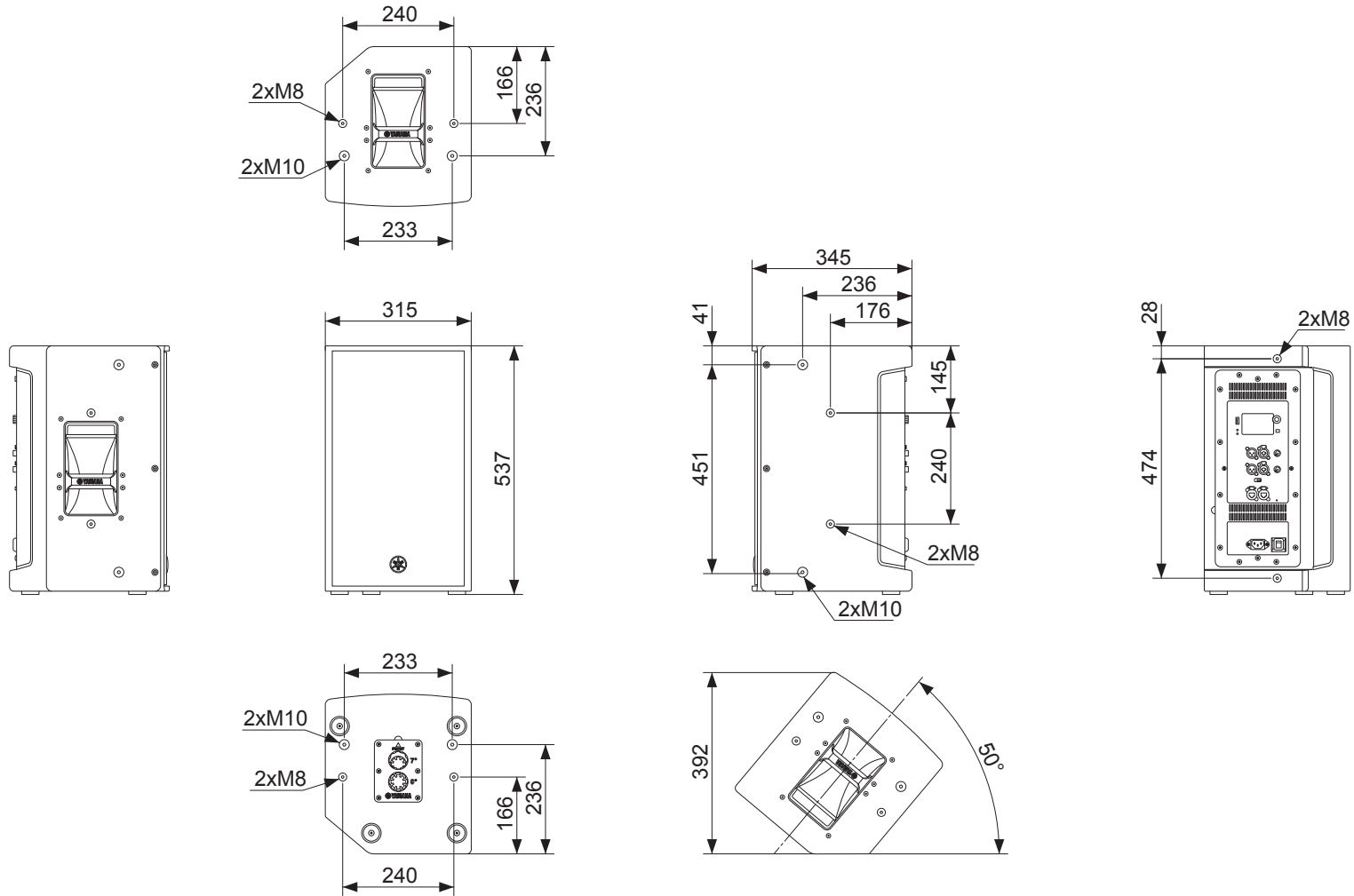
DZR12/12-D



Unit: mm

Dimensions / 寸法図 (4/6)

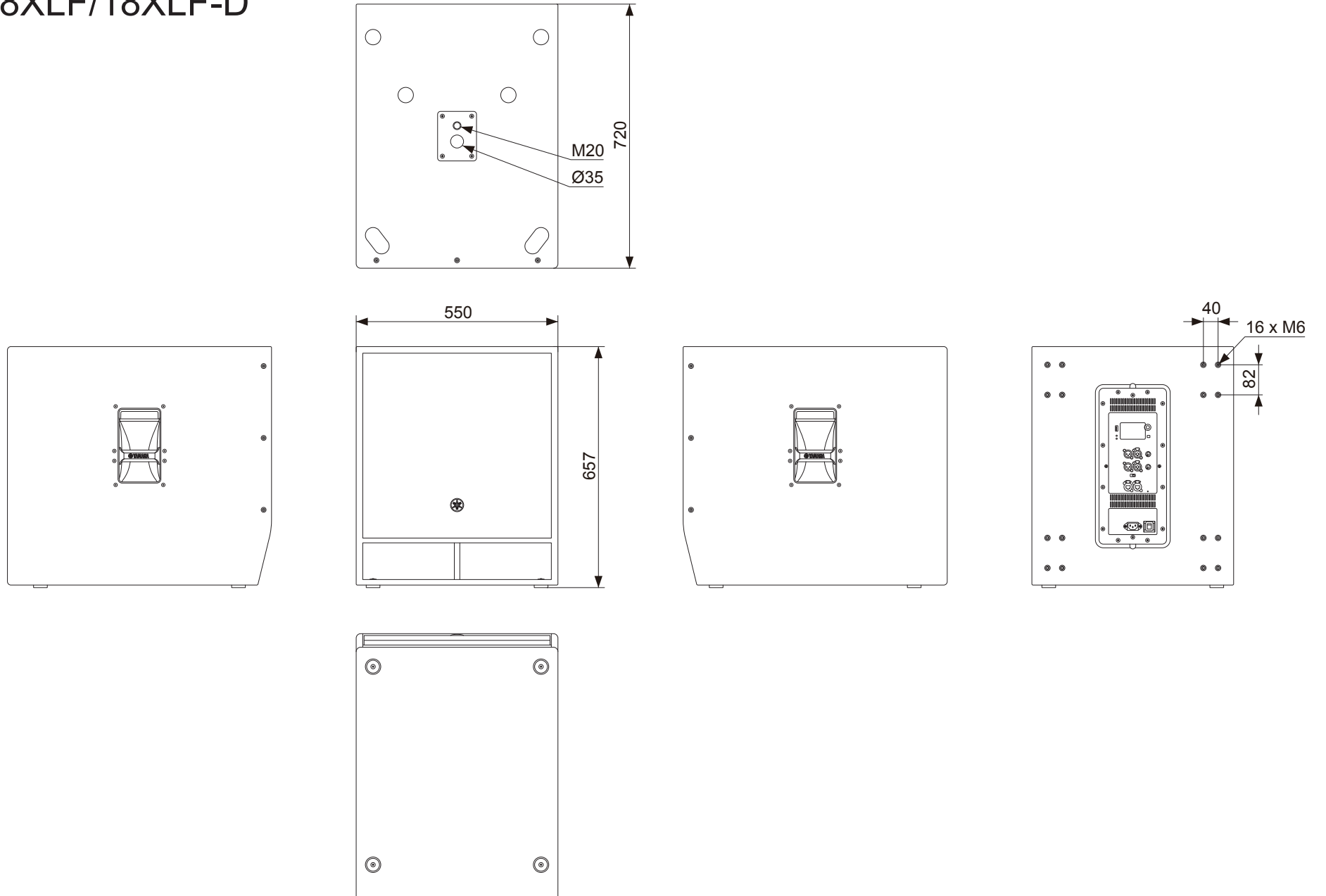
DZR10/10-D



Unit: mm

Dimensions / 寸法図 (5/6)

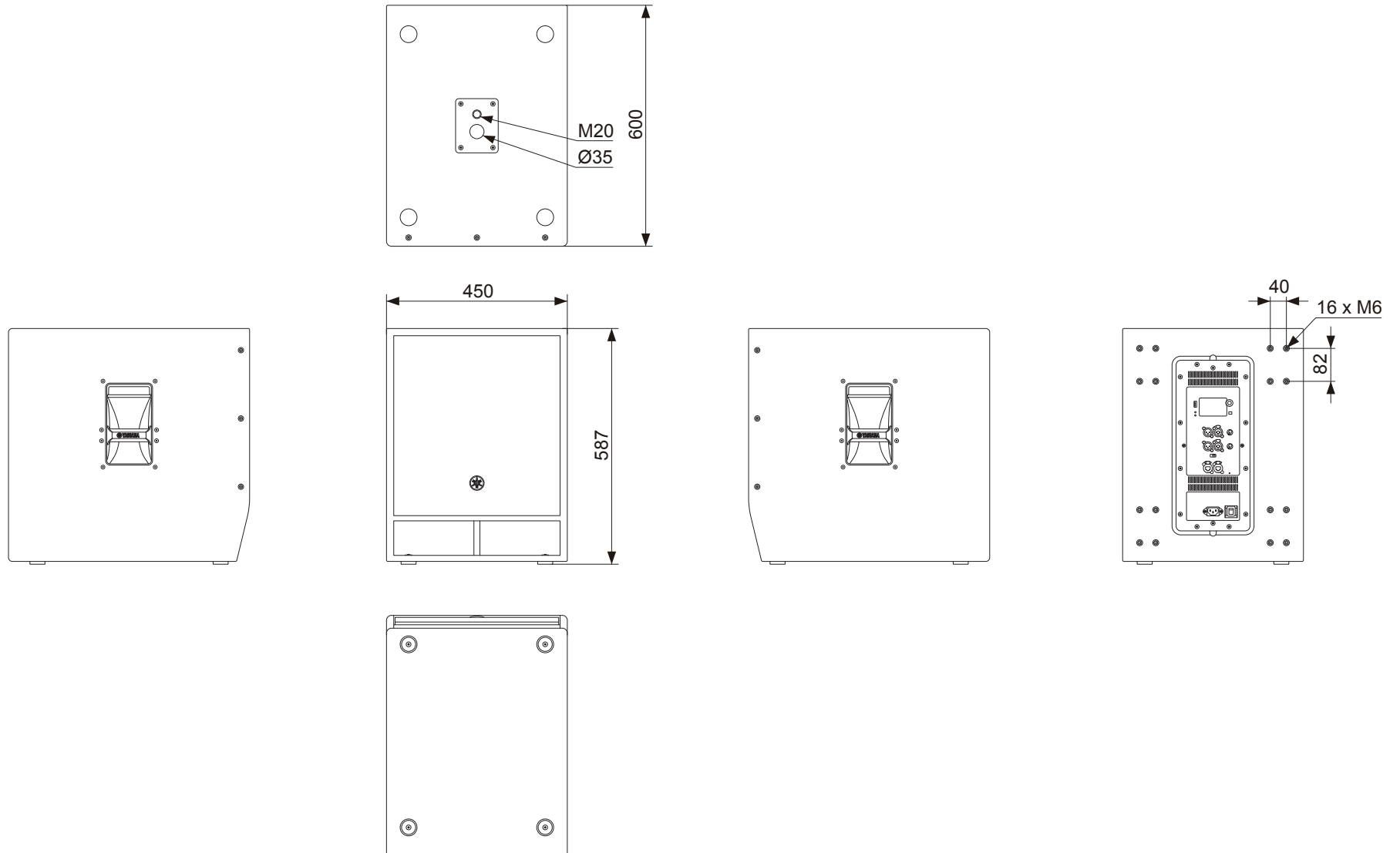
DXS18XLF/18XLF-D



Unit: mm

Dimensions / 寸法図 (6/6)

DXS15XLF/15XLF-D



Unit: mm