



# AVANTGRAND

## N1

Owner's Manual  
Bedienungsanleitung  
Mode d'emploi  
Manual de instrucciones

Before using this instrument, be sure to read "PRECAUTIONS" on pages 6 – 7.

When assembling or transporting the unit, consult a qualified AvantGrand dealer. (Refer to page 37 for the assembly instructions.)

Achten Sie darauf, vor Einsatz dieses Instruments die „VORSICHTSMASSNAHMEN“ auf Seiten 6-7 durchzulesen. Wenden Sie sich bezüglich Zusammenbau und Transport des Gerätes an einen qualifizierten AvantGrand-Händler. (Lesen Sie auf Seite 37 für Anweisungen zur Montage.)

Avant d'utiliser cet instrument, lisez attentivement la section « PRÉCAUTIONS D'USAGE » aux pages 6-7.

Lors de l'assemblage ou du transport de l'unité, consultez un revendeur qualifié AvantGrand. (Reportez-vous à la page 37 pour obtenir des instructions sur le montage.)

Antes de utilizar el instrumento, lea la sección "PRECAUCIONES", en las páginas 6-7.

Al montar o transportar la unidad, consulte a un distribuidor cualificado de AvantGrand. (Consulte las instrucciones de montaje en la página 37.)

ENGLISH

DEUTSCH

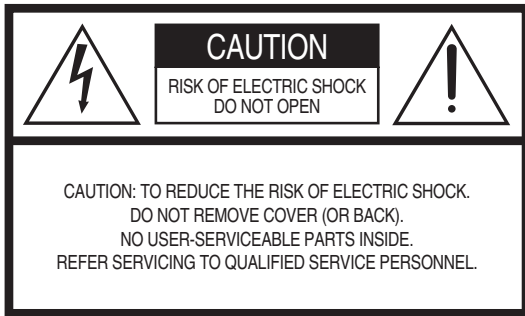
FRANÇAIS

ESPAÑOL

EN  
DE  
FR  
ES

# SPECIAL MESSAGE SECTION

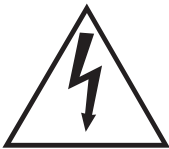
**PRODUCT SAFETY MARKINGS:** Yamaha electronic products may have either labels similar to the graphics shown below or molded/stamped facsimiles of these graphics on the enclosure. The explanation of these graphics appears on this page. Please observe all cautions indicated on this page and those indicated in the safety instruction section.



See bottom of Keyboard enclosure for graphic symbol markings.



The exclamation point within the equilateral triangle is intended to alert the user to the presence of important operating and maintenance (servicing) instructions in the literature accompanying the product.



The lightning flash with arrowhead symbol, within the equilateral triangle, is intended to alert the user to the presence of uninsulated “dangerous voltage” within the product’s enclosure that may be of sufficient magnitude to constitute a risk of electrical shock.

**IMPORTANT NOTICE:** All Yamaha electronic products are tested and approved by an independent safety testing laboratory in order that you may be sure that when it is properly installed and used in its normal and customary manner, all foreseeable risks have been eliminated. **DO NOT** modify this unit or commission others to do so unless specifically authorized by Yamaha. Product performance and/or safety standards may be diminished. Claims filed under the expressed warranty may be denied if the unit is/has been modified. Implied warranties may also be affected.

**SPECIFICATIONS SUBJECT TO CHANGE:** The information contained in this manual is believed to be correct at the time of printing. However, Yamaha reserves the right to change or modify any of the specifications without notice or obligation to update existing units.

**ENVIRONMENTAL ISSUES:** Yamaha strives to produce products that are both user safe and environmentally friendly. We sincerely believe that our products and the production methods used to produce them, meet these goals. In keeping with both the letter and the spirit of the law, we want you to be aware of the following:

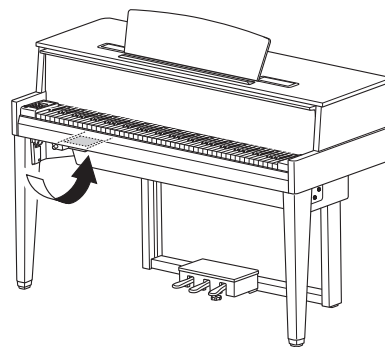
**Battery Notice:** This product **MAY** contain a small non-rechargeable battery which (if applicable) is soldered in place. The average life span of this type of battery is approximately five years. When replacement becomes necessary, contact a qualified service representative to perform the replacement.

**Warning:** Do not attempt to recharge, disassemble, or incinerate this type of battery. Keep all batteries away from children. Dispose of used batteries promptly and as regulated by applicable laws. Note: In some areas, the servicer is required by law to return the defective parts. However, you do have the option of having the servicer dispose of these parts for you.

**Disposal Notice:** Should this product become damaged beyond repair, or for some reason its useful life is considered to be at an end, please observe all local, state, and federal regulations that relate to the disposal of products that contain lead, batteries, plastics, etc.

**NOTICE:** Service charges incurred due to lack of knowledge relating to how a function or effect works (when the unit is operating as designed) are not covered by the manufacturer’s warranty, and are therefore the owners responsibility. Please study this manual carefully and consult your dealer before requesting service.

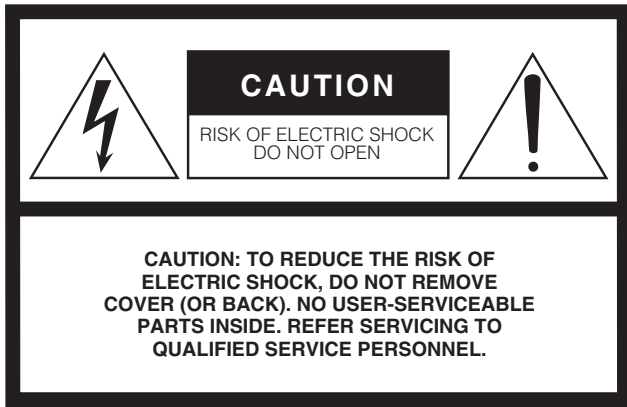
**NAME PLATE LOCATION:** The graphic below indicates the location of the name plate. The model number, serial number, power requirements, etc., are located on this plate. You should record the model number, serial number, and the date of purchase in the spaces provided below and retain this manual as a permanent record of your purchase.



**Model** \_\_\_\_\_

**Serial No.** \_\_\_\_\_

**Purchase Date** \_\_\_\_\_



The above warning is located on the bottom of the unit.

## Explanation of Graphical Symbols



The lightning flash with arrowhead symbol within an equilateral triangle is intended to alert the user to the presence of uninsulated “dangerous voltage” within the product’s enclosure that may be of sufficient magnitude to constitute a risk of electric shock to persons.



The exclamation point within an equilateral triangle is intended to alert the user to the presence of important operating and maintenance (servicing) instructions in the literature accompanying the product.

# IMPORTANT SAFETY INSTRUCTIONS

- 1 Read these instructions.
- 2 Keep these instructions.
- 3 Heed all warnings.
- 4 Follow all instructions.
- 5 Do not use this apparatus near water.
- 6 Clean only with dry cloth.
- 7 Do not block any ventilation openings. Install in accordance with the manufacturer’s instructions.
- 8 Do not install near any heat sources such as radiators, heat registers, stoves, or other apparatus (including amplifiers) that produce heat.
- 9 Do not defeat the safety purpose of the polarized or grounding-type plug. A polarized plug has two blades with one wider than the other. A grounding type plug has two blades and a third grounding prong. The wide blade or the third prong are provided for your safety. If the provided plug does not fit into your outlet, consult an electrician for replacement of the obsolete outlet.
- 10 Protect the power cord from being walked on or pinched particularly at plugs, convenience receptacles, and the point where they exit from the apparatus.

- 11 Only use attachments/accessories specified by the manufacturer.

- 12 Use only with the cart, stand, tripod, bracket, or table specified by the manufacturer, or sold with the apparatus. When a cart is used, use caution when moving the cart/apparatus combination to avoid injury from tip-over.



- 13 Unplug this apparatus during lightning storms or when unused for long periods of time.
- 14 Refer all servicing to qualified service personnel. Servicing is required when the apparatus has been damaged in any way, such as power-supply cord or plug is damaged, liquid has been spilled or objects have fallen into the apparatus, the apparatus has been exposed to rain or moisture, does not operate normally, or has been dropped.

### WARNING

TO REDUCE THE RISK OF FIRE OR ELECTRIC SHOCK, DO NOT EXPOSE THIS APPARATUS TO RAIN OR MOISTURE.

(UL60065\_03)

### IMPORTANT NOTICE FOR THE UNITED KINGDOM

#### Connecting the Plug and Cord

IMPORTANT. The wires in this mains lead are coloured in accordance with the following code:

BLUE : NEUTRAL  
BROWN : LIVE

As the colours of the wires in the mains lead of this apparatus may not correspond with the coloured markings identifying the terminals in your plug proceed as follows:

The wire which is coloured BLUE must be connected to the terminal which is marked with the letter N or coloured BLACK.

The wire which is coloured BROWN must be connected to the terminal which is marked with the letter L or coloured RED.

Making sure that neither core is connected to the earth terminal of the three pin plug.

• This applies only to products distributed by Yamaha Music U.K. Ltd.

(2 wires)

Hybrid Piano

# AVANTGRAND

**Combining over one hundred years of superb piano craftsmanship with the latest advanced technologies, Yamaha is proud to introduce a true hybrid acoustic/digital piano that meets the demands of contemporary musicians.**

## **Authentic Acoustic Piano Touch with Special Grand Piano Action and Piano Keyboard**

This innovative keyboard delivers the rich expressive quality of an acoustic grand piano, thanks to its finely nuanced touch and exceptional response. Drawing on over one hundred years of expertise in crafting grand pianos, Yamaha has created a unique and yet wholly traditional piano action mechanism for the AvantGrand. The AvantGrand offers a special action that features the same configuration as the action of an acoustic grand piano. The movement of the hammers and the weight distribution of each hammer have been meticulously adjusted to give this instrument an exceptionally smooth feel. The keyboard also features real-wood keys, just as on a real grand piano, letting you enjoy an authentic touch and feel that goes far beyond any existing digital piano.

## **The Realistic Ambience of Grand Piano Voice**

The AvantGrand features Yamaha's original "Spatial Acoustic Sampling" tone-generation sampling technology for the grand piano voices. The voices are sampled from four positions around a grand piano, not only from the left and right (as on most digital pianos), but also from the center and rear.

The instrument also utilizes the "Spatial Acoustic Speaker System," in which each speaker is equipped with its own dedicated amplifier. This is essential for preserving the sonic integrity of each frequency range and making sure that the nuances of each sound are reproduced naturally with absolute clarity.

These technologies provide rich resonance and sonic power heretofore only available on an actual grand piano.

## **Best Condition without Tuning**

Unlike acoustic pianos, the AvantGrand does not need to be tuned. It always stays perfectly in tune even after long-time use.

## **Flexible Volume Control**

The AvantGrand gives you full control over the instrument volume, letting you adjust the level just as desired. Also, you can play or listen in total privacy through one or two pairs of headphones.

# Table of Contents

<b>PRECAUTIONS</b> .....	<b>6</b>
--------------------------	----------

## Introduction

Getting started playing your new Avant Grand!

<b>Panel Controls and Terminals</b> .....	<b>8</b>
<b>Playing the Keyboard</b> .....	<b>9</b>
Using the Pedals .....	11
Using Headphones (option) .....	11
Music Rest .....	12

## Reference

This section explains how to make detailed settings for the instrument's various functions.

<b>Listening to the Preset Songs</b> .....	<b>13</b>
<b>Basic Operations and More</b> .....	<b>15</b>
Selecting Voices .....	15
Listening to the Voice Demo Songs .....	16
Using the Metronome .....	17
Adjusting the Keyboard Touch (Touch Sensitivity) .....	19
Adding Variations to the Sound — Reverb .....	19
Transposition .....	20
Fine-tuning the Pitch .....	21
Scale Tuning .....	22
<b>Recording your Performance</b> .....	<b>23</b>
Playing Back the Song Recorded to the Instrument .....	24
Saving Your Recorded Performance to USB Flash Memory .....	25
<b>Listening to songs in USB Flash Memory</b> .....	<b>27</b>
<b>Formatting USB Flash Memory</b> .....	<b>29</b>
<b>Backing up Data and Initializing the Settings</b> .....	<b>30</b>
Backup data in internal memory .....	30
Initializing the data .....	30
<b>Connections</b> .....	<b>31</b>
Connectors .....	31
<b>About MIDI</b> .....	<b>33</b>
Connecting to a Computer .....	33
Local Control On/Off .....	34

## Appendix

This section includes a list of display messages, Quick Operation Guide and other information.

<b>Message List</b> .....	<b>35</b>
<b>Troubleshooting</b> .....	<b>36</b>
<b>Assembling the Unit</b> .....	<b>37</b>
<b>Specifications</b> .....	<b>39</b>
<b>Index</b> .....	<b>40</b>
<b>Quick Operation Guide*</b> .....	<b>43</b>

\* This is a quick reference for operation of the functions assigned to the buttons and keyboard.

## Accessories

- Owner's Manual
- AC Power Cord
- Felt Key Cover
- Bench\*

\* Included or optional depending on locale.

- My Yamaha Product User Registration\*

\* The PRODUCT ID on the sheet will be needed when you fill out the User Registration form.

## Data List

You can download various MIDI-related reference materials, such as the MIDI Data Format and MIDI Implementation Chart, from the Yamaha Manual Library.

Connect to the Internet, visit the following website, type the model name of your instrument (such as "N1") in the Model Name text box, then click the Search button.

## Yamaha Manual Library

<http://www.yamaha.co.jp/manual/>

# PRECAUTIONS

## PLEASE READ CAREFULLY BEFORE PROCEEDING

\* Please keep this manual in a safe place for future reference.



### WARNING

Always follow the basic precautions listed below to avoid the possibility of serious injury or even death from electrical shock, short-circuiting, damages, fire or other hazards. These precautions include, but are not limited to, the following:

#### Power supply/Power cord

- Do not place the power cord near heat sources such as heaters or radiators, and do not excessively bend or otherwise damage the cord, place heavy objects on it, or place it in a position where anyone could walk on, trip over, or roll anything over it.
- Only use the voltage specified as correct for the instrument. The required voltage is printed on the name plate of the instrument.
- Use only the supplied power cord/plug.
- Check the electric plug periodically and remove any dirt or dust which may have accumulated on it.

#### Do not open

- This instrument contains no user-serviceable parts. Do not open the instrument or attempt to disassemble or modify the internal components in any way. If it should appear to be malfunctioning, discontinue use immediately and have it inspected by qualified Yamaha service personnel.

#### Water warning

- Do not expose the instrument to rain, use it near water or in damp or wet conditions, or place on it any containers (such as vases, bottles or glasses) containing liquids which might spill into any openings. If any liquid such as water seeps into the instrument, turn off the power immediately and unplug the power cord from the AC outlet. Then have the instrument inspected by qualified Yamaha service personnel.
- Never insert or remove an electric plug with wet hands.

#### Fire warning

- Do not put burning items, such as candles, on the unit. A burning item may fall over and cause a fire.

#### If you notice any abnormality

- When one of the following problems occur, immediately turn off the power switch and disconnect the electric plug from the outlet. Then have the device inspected by Yamaha service personnel.
  - The power cord or plug becomes frayed or damaged.
  - It emits unusual smells or smoke.
  - Some object has been dropped into the instrument.
  - There is a sudden loss of sound during use of the instrument.



### CAUTION

Always follow the basic precautions listed below to avoid the possibility of physical injury to you or others, or damage to the instrument or other property. These precautions include, but are not limited to, the following:

#### Power supply/Power cord

- Do not connect the instrument to an electrical outlet using a multiple-connector. Doing so can result in lower sound quality, or possibly cause overheating in the outlet.
- When removing the electric plug from the instrument or an outlet, always hold the plug itself and not the cord. Pulling by the cord can damage it.
- Remove the electric plug from the outlet when the instrument is not to be used for extended periods of time, or during electrical storms.

#### Assembly

- Read carefully the attached documentation explaining the assembly process. Failure to assemble the instrument in the proper sequence might result in damage to the instrument or even injury.

#### Location

- Do not place the instrument in an unstable position where it might accidentally fall over.
- When transporting or moving the instrument, always use two or more people. Attempting to lift the instrument by yourself may damage your back, result in other injury, or cause damage to the instrument itself.
- Before moving the instrument, remove all connected cables.
- When setting up the product, make sure that the AC outlet you are using is easily accessible. If some trouble or malfunction occurs, immediately turn off the power switch and disconnect the plug from the outlet. Even when the power switch is turned off, electricity is still flowing to the product at the minimum level. When you are not using the product for a long time, make sure to unplug the power cord from the wall AC outlet.

#### Connections

- Before connecting the instrument to other electronic components, turn off the power for all components. Before turning the power on or off for all components, set all volume levels to minimum.
- Be sure to set the volumes of all components at their minimum levels and gradually raise the volume controls while playing the instrument to set the desired listening level.

#### Handling caution

- Do not insert a finger or hand in any gaps on the fallboard or instrument. Also take care that the fallboard does not pinch your finger.
- Never insert or drop paper, metallic, or other objects into the gaps on the fallboard, panel or keyboard. This could cause physical injury to you or others, damage to the instrument or other property, or operational failure.
- Do not rest your weight on, or place heavy objects on the instrument, and do not use excessive force on the buttons, switches or connectors.
- Do not use the instrument/device or headphones for a long period of time at a high or uncomfortable volume level, since this can cause permanent hearing loss. If you experience any hearing loss or ringing in the ears, consult a physician.

#### Using the bench (If included)

- Do not place the bench in an unstable position where it might accidentally fall over.
- Do not play carelessly with or stand on the bench. Using it as a tool or step ladder or for any other purpose might result in accident or injury.
- Only one person should sit on the bench at a time, in order to prevent the possibility of accident or injury.
- Do not attempt to adjust the bench height while sitting on the bench, since this can cause excessive force to be imposed on the adjustment mechanism, possibly resulting in damage to the mechanism or even injury.
- If the bench screws become loose due to extensive long-term use, tighten them periodically using the included tool.

**IMPORTANT** – Check your power supply –

Make sure that your local AC mains voltage matches the voltage specified on the name plate on the bottom panel. In some areas a voltage selector may be provided on the bottom of the main keyboard unit near the power cord. Make sure that the voltage selector is set for the voltage in your area. The voltage selector is set at 240V when the unit is initially shipped. To change the setting use a “minus” screwdriver to rotate the selector dial so that the correct voltage appears next to the pointer on the panel.

**NOTICE**

To avoid the possibility of malfunction/ damage to the product, damage to data, or damage to other property, follow the notices below.

**■ Handling and Maintenance**

- Do not use the instrument in the vicinity of a TV, radio, stereo equipment, mobile phone, or other electric devices. Otherwise, the instrument, TV, or radio may generate noise.
- Do not expose the instrument to excessive dust or vibrations, or extreme cold or heat (such as in direct sunlight, near a heater, or in a car during the day) to prevent the possibility of panel disfiguration, damage to the internal components or unstable operation. (Verified operating temperature range: 5° – 40°C, or 41° – 104°F.)
- Do not place vinyl, plastic or rubber objects on the instrument, since this might discolor the panel or keyboard.
- Bumping the surface of the instrument with metal, porcelain, or other hard objects can cause the finish to crack or peel. Use caution.
- When cleaning the instrument, use a soft, dry or slightly damp cloth. Do not use paint thinners, solvents, cleaning fluids, or chemical-impregnated wiping cloths.
- Gently remove dust and dirt with a soft cloth. Do not wipe too hard since small particles of dirt can scratch the instrument's finish.
- During extreme changes in temperature or humidity, condensation may occur and water may collect on the surface of the instrument. If water is left, the wooden parts may absorb the water and be damaged. Make sure to wipe any water off immediately with a soft cloth.

**Transporting / Placing**

If you move to another location, transport the instrument horizontally. Do not lean it up against a wall or stand it up side down. Do not subject the instrument to excessive vibration or shock.

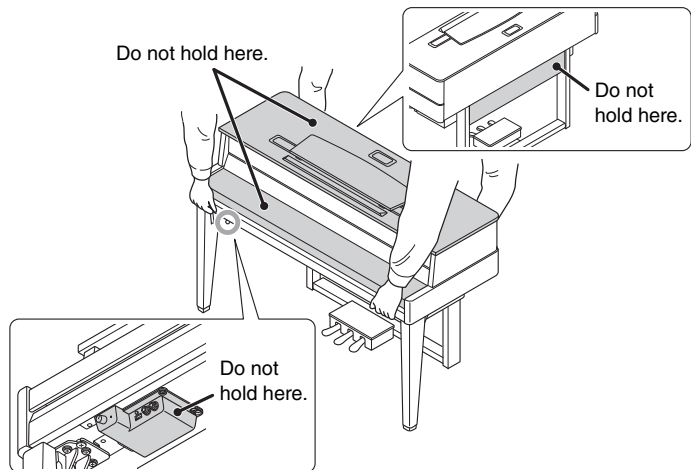
**⚠ CAUTION**

**When moving the instrument, always hold the bottom of the main unit.**

**Be sure not to hold the headphone jack box or the speaker net. Improper handling can result in damage to the instrument or personal injury.**

Place the instrument away from the wall by at least 15 cm to optimize and enhance the sound effect.

If you find the instrument shaky or unstable after installing, insert the included felt strips. For details, refer to the instructions supplied with the felt strips.

**■ Saving data**

- The song data saved to internal memory of this instrument is retained even when the power is turned off. However, the data could be lost due to malfunction or incorrect operation. Save important data to a USB storage device (page 25).
- To protect against data loss through media damage, we recommend that you save your important data onto two USB storage device.

Yamaha cannot be held responsible for damage caused by improper use or modifications to the instrument, or data that is lost or destroyed.

Always turn the power off when the instrument is not in use.

**Information****■ About copyrights**

- Copying of the commercially available musical data including but not limited to MIDI data and/or audio data is strictly prohibited except for your personal use.
- This product incorporates and bundles computer programs and contents in which Yamaha owns copyrights or with respect to which it has license to use others' copyrights. Such copyrighted materials include, without limitation, all computer software, style files, MIDI files, WAVE data, musical scores and sound recordings. Any unauthorized use of such programs and contents outside of personal use is not permitted under relevant laws. Any violation of copyright has legal consequences. **DON'T MAKE, DISTRIBUTE OR USE ILLEGAL COPIES.**

**■ About this manual**

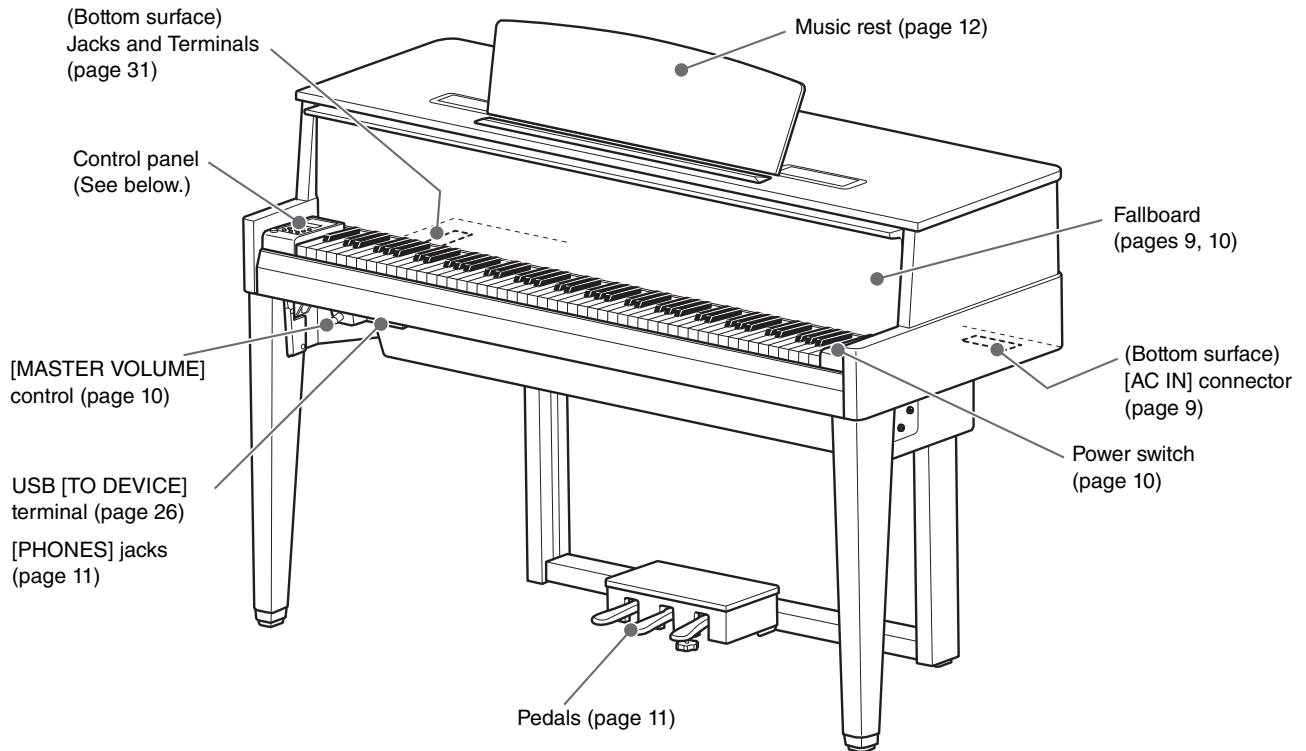
- The illustrations and displays as shown in this manual are for instructional purposes only, and may appear somewhat different from those on your instrument.
- The company names and product names in this manual are the trademarks or registered trademarks of their respective companies.

**Tuning**

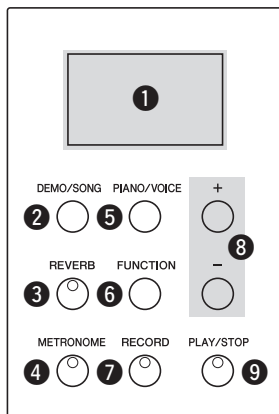
Unlike an acoustic piano, the instrument does not need to be tuned. It always stays perfectly in tune. However, if you feel something wrong concerning the keyboard touch, contact your Yamaha dealer.

# Panel Controls and Terminals

## Overview



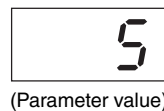
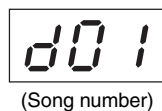
## Control Panel



- ❶ Display ..... See below.
- ❷ [DEMO/SONG] button..... pages 13, 16, 24, 27
- ❸ [REVERB] button ..... page 19
- ❹ [METRONOME] button ..... page 17
- ❺ [PIANO/VOICE] button..... page 15
- ❻ [FUNCTION] button ..... pages 20, 21, 22, 34
- ❼ [RECORD] button ..... page 23
- ❽ [+]/[-] button
- ❾ [PLAY/STOP] button..... pages 13, 16, 24, 27

### • Display

Check the operation on the display of the top panel as you use the instrument. The display indicates different values, as shown below, depending on the operation. The display turns dark after the values are set.



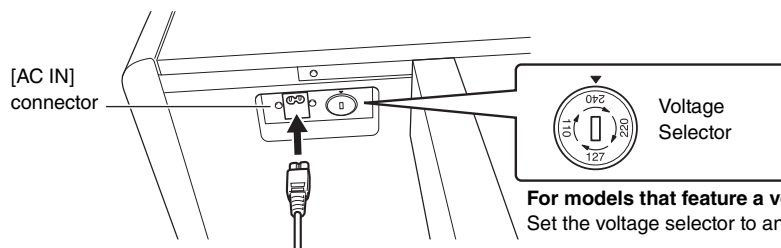
For more information, refer to the instructions on each function. The message list (page 35) is also available for your reference.



# Playing the Keyboard

## 1 Connecting the power cord

- 1-1** Set the voltage selector and insert the power cord plug to the [AC IN] connector. Refer to the “Panel Controls and Terminals” on page 8 for information on the location of the [AC IN] connector.



**For models that feature a voltage selector:**  
Set the voltage selector to an appropriate voltage.

### Voltage Selector

Before connecting the AC power cord, check the setting of the voltage selector which is provided in some areas. To set the selector for 110V, 127V, 220V or 240V main voltages, use a “minus” screwdriver to rotate the selector dial so that the correct voltage for your region appears next to the pointer on the panel. The voltage selector is set at 240V when the unit is initially shipped. After the proper voltage has been selected, connect the AC power cord to the AC IN and an AC wall outlet. A plug adaptor may be also provided in some areas to match the pin configuration of the AC wall outlets in your area.

### **⚠ WARNING**

Make sure your instrument is rated for the AC voltage supplied in the area in which it is to be used. (The voltage rating appears on the name plate on the bottom panel). Connecting the unit to an inappropriate AC supply can seriously damage the internal circuitry and may even pose a shock hazard!

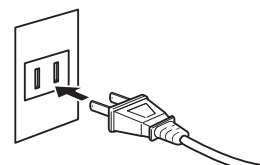
- 1-2** Insert the plug on the other end of the power cord to a standard AC outlet.

### **⚠ WARNING**

Use only the AC power cord supplied with the instrument. If the supplied power cord is lost or damaged and needs to be replaced, contact your Yamaha dealer. The use of an inappropriate replacement can pose a fire and shock hazard!

### **⚠ WARNING**

The type of AC power cord provided with the instrument may be different depending on the country in which the instrument was purchased. (In some areas a plug adaptor may be provided to match the pin configuration of the AC wall outlets in your area.) Do NOT modify the plug provided with the instrument. If the plug will not fit the outlet, have a proper outlet installed by a qualified electrician.



(The shape of the plug differs depending on locale.)

## 2 Opening the fallboard

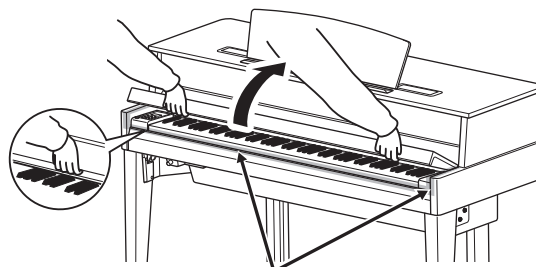
Using the hand grip on the front, lift open the fallboard.

### **⚠ CAUTION**

Hold the fallboard with both hands when opening or closing it. Do not release it until it is fully opened or closed. Be careful to avoid catching fingers (yours or others, especially children's) between the fallboard and the unit.

### **⚠ CAUTION**

Do not place objects such as a piece of metal or paper on top of the fallboard. Small objects placed on the fallboard may fall inside the unit when the fallboard is opened and may be nearly impossible to remove. This could cause electric shock, short circuit, fire or other serious damage to the instrument. If this happens, turn off the power immediately and unplug the power cord from the AC outlet. Then have the instrument inspected by qualified Yamaha service personnel.



### **⚠ CAUTION**

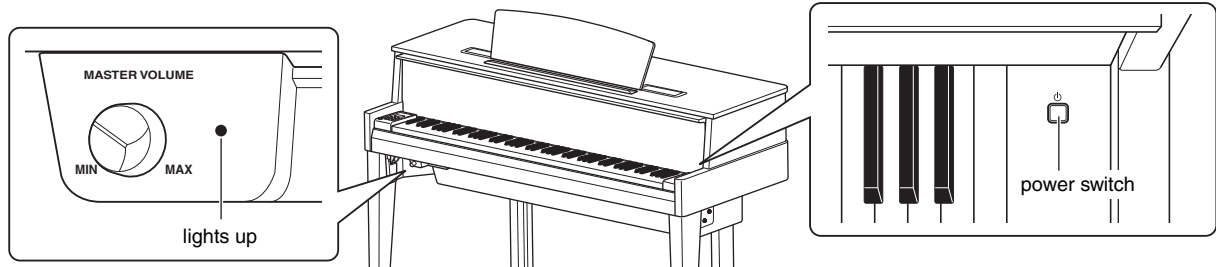
Be careful to avoid catching your fingers when opening the fallboard.

### 3 Turning the power on

Press the [⏻] power switch located on the right of the keyboard. This turns the power on, and the power indicator located below the left end of the keyboard lights up.



A swirl graphic appears in the display located on the left of the keyboard and the instrument starts up when the swirl in the display stops.

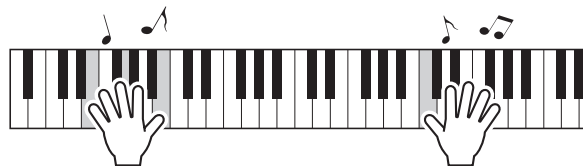


**NOTICE**

Do not press any keys until the instrument has completely started up (approx. eight seconds after turning on the switch). Doing so may cause some keys to not sound normally.

### 4 Playing the keyboard

Play the keyboard to produce sound.

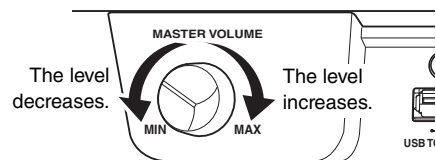


**Adjusting the volume**

While playing the keyboard, adjust the volume level by using the [MASTER VOLUME] control located at the left of the panel.

**CAUTION**

Do not use this instrument at a high volume level for a long period of time, or your hearing may be damaged.



### 5 Turning the power off

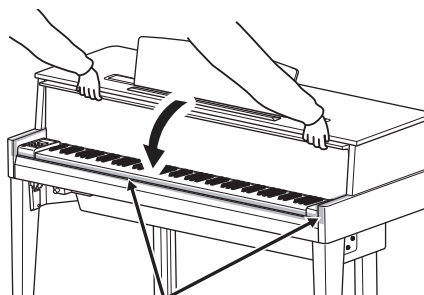
Press the [⏻] power switch again. The power indicator turns off when the power turns off.

**NOTICE**

A small amount of electrical current remains even after the power switch is turned off. If you plan not to use the instrument for a long period of time, be sure to unplug the instrument from the AC outlet.

### 6 Closing the fallboard

Grip the fallboard, and close it gently.

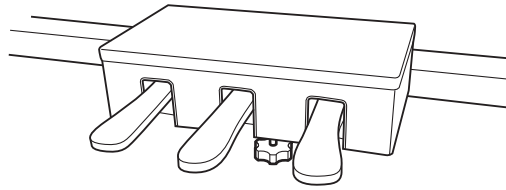


**CAUTION**

Be careful to avoid catching your fingers when closing the fallboard.

## Using the Pedals

The instrument has three foot pedals that produce a range of expressive effects similar to those produced by the pedals on an acoustic piano.

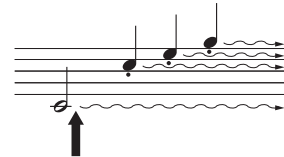


### Damper (Right) Pedal

The damper pedal functions in the same way as a damper pedal on an acoustic piano. When the damper pedal is pressed, notes sustain longer. Releasing the pedal immediately stops (damps) any sustained notes. The damper pedal features a half-pedal function.

#### What is the half-pedal function?

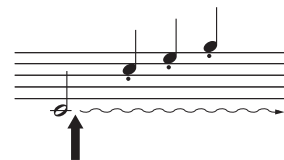
This function allows the sustain length to vary depending on how far the pedal is pressed. The farther you press the pedal, the more the sound sustains. For example, if you press the damper pedal and all notes you are playing sound a bit murky and loud with too much sustain, you can release the pedal half way to subdue the sustain (murkiness).



When you press the damper pedal here, the notes you play before you release the pedal sustain longer.

### Sostenuto (Center) Pedal

If you play a note or chord on the keyboard and press the sostenuto pedal while the note(s) are held, those notes will sustain as long as you hold the pedal (as if the damper pedal had been pressed) but all subsequently played notes will not be sustained. This makes it possible to sustain a chord, for example, while other notes are played “staccato.”



When you press the sostenuto pedal here while holding the note, the note will sustain as long as you hold the pedal.

### Soft (Left) Pedal

The soft pedal reduces the volume and slightly changes the timbre of notes played while the pedal is pressed. The soft pedal will not affect notes that are already playing when it is pressed.

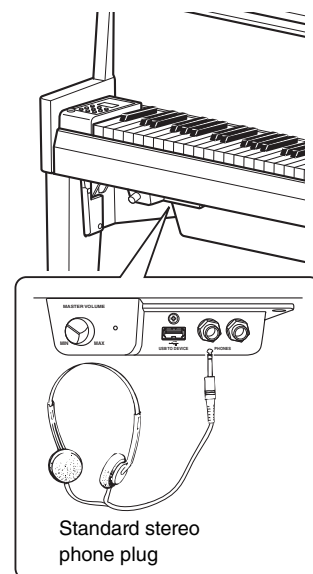
## Using Headphones (option)

Connect a pair of headphones to one of the [PHONES] jacks located on the bottom left of the instrument. When the headphones are plugged into either of the [PHONES] jacks, the internal speaker system is automatically shut off.

Two [PHONES] jacks are provided. You can connect two sets of standard stereo headphones. (If you are using only one pair of headphones, you can plug them into either jack.)

#### CAUTION

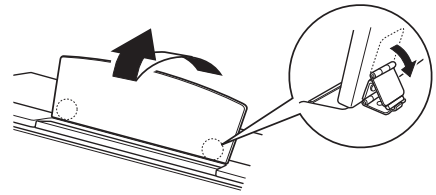
Do not listen to the instrument at a high volume level through headphones for a long period of time, or your hearing may be damaged.



## Music Rest

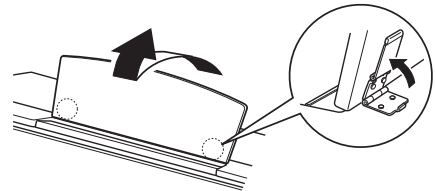
### To raise the music rest:

- 1 Pull the music rest up and toward yourself as far as it will go.
- 2 Flip down the two metal supports at the left and right on the rear of the music rest.
- 3 Lower the music rest so that it rests on the metal supports.



### To lower the music rest:

- 1 Pull the music rest toward yourself as far as it will go.
- 2 Raise the two metal supports (at the rear of the music rest).
- 3 Gently lower the music rest backward until it is all the way down.

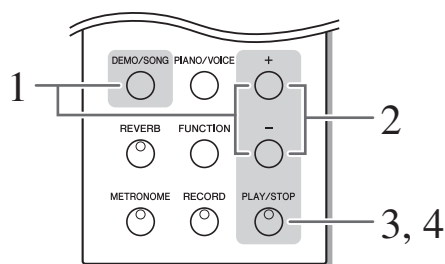


### **CAUTION**

Do not try to use the music rest in a half-raised position. When raising or lowering the music rest, do not release your hands from the music rest until it is all the way up or down.

# Listening to the Preset Songs

This instrument features a variety of built-in piano preset songs. You can simply listen to these songs.



## 1 Engage the Preset Song mode.

While holding down the [DEMO/SONG] button, press the [+] or [-] button until “*PO 1*” appears on the display.



## 2 Select a preset song.

Press the [+] or [-] button to select a song.

- *PO 1-P 10* ..... Select a preset song number and play only the selected song.
- *PRL* ..... Play all preset songs in sequence.
- *P.r.d* ..... Play all preset songs continuously in random order.

## 3 Start playback.

Press the [PLAY/STOP] button to start playback.

While a piano preset song is playing, press the [+] or [-] button to change to the next or previous piano song.

## 4 Stop playback.

Press the [PLAY/STOP] button to stop playback.

### Song:

In this manual, performance data is called a “Song.” This includes preset songs and demo songs.

### Mode:

A mode is a status under which you can execute a certain function. In the Preset Song mode, you can select a preset song.

### Random order:

The songs are selected and played back randomly by the instrument—similar to the shuffling of a deck of cards—when pressing the [PLAY/ STOP] button.

You can play the keyboard along with the preset song.

While a piano preset song is playing, hold down the [METRONOME] button and press the [+] or [-] button to change the song tempo.

If you are using the metronome (page 17) during preset song playback, press the [+] or [-] button to change the song tempo. You can also press keys to change the tempo.

The preset songs will not be transmitted via MIDI.

### Select and start playback songs from the keyboard

You can also select and start playback songs by pressing the keys.

- **Play back a particular song:**

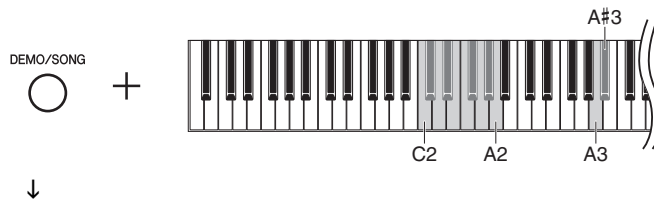
While holding down the [DEMO/SONG] button, press one of the C2–A2 keys.

- **Play back all:**

While holding down the [DEMO/SONG] button, press the A3 key.

- **Play back randomly:**

While holding down the [DEMO/SONG] button, press the A#3 key.



The selected preset song starts to play.

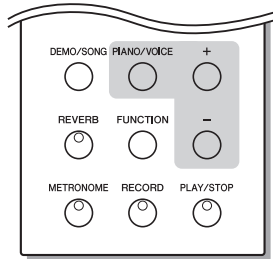
### Preset Songs

Display	Key	Title	Composer
P01	C2	Nocturne, op.9-1	F. F. Chopin
P02	C#2	Mädchens Wunsch, 6 Chants polonaise	F. Liszt
P03	D2	Fantaisie-Impromptu	F. F. Chopin
P04	D#2	Aria, Goldberg-Variationen, BWV.988	J. S. Bach
P05	E2	Clair de lune	C. A. Debussy
P06	F2	Sonate, K.380, L.23	D. Scarlatti
P07	F#2	Sonate für Klavier Nr.14 "Mondschein", op.27-2	L. v. Beethoven
P08	G2	Sonate für Klavier Nr.5, K.283	W. A. Mozart
P09	G#2	Valse, op.69-2	F. F. Chopin
P10	A2	Consolation No.3	F. Liszt

# Basic Operations and More

The following instructions provide all you need to know about the instrument to take full advantage of its versatile and sophisticated functions.

## Selecting Voices



Press and release the [PIANO/VOICE] button to select the Grand Piano 1 voice. While holding down the [PIANO/VOICE] button, press the [+] or [-] button to select a different voice.

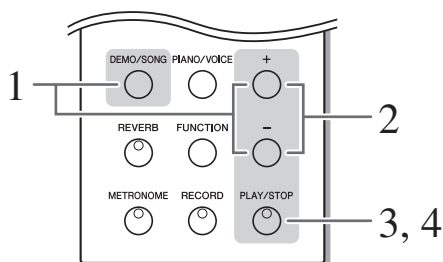
Turn the [MASTER VOLUME] control to adjust the volume level while playing the keyboard.

To understand the characteristics of various voices, listen to demo songs for each voice (page 16).

Display	Voice Name	Description
1	Grand Piano 1	Recorded samples from a full concert grand piano. Perfect for classical compositions as well as any other style that requires acoustic piano.
2	Grand Piano 2	Spacious and clear piano with bright reverb. Good for popular music.
3	E.Piano 1	An electronic piano sound created by FM synthesis. Good for popular music.
4	E.Piano 2	The sound of an electric piano using hammer-struck metallic "tines." Soft tone when played lightly, and an aggressive tone when played hard.
5	Harpsichord	The definitive instrument for baroque music. Since the strings of a harpsichord are plucked, there is no touch response.

## Listening to the Voice Demo Songs

Demo songs are provided that effectively demonstrate each of this instrument's voices.



### 1 Engage the Demo Song mode.

While holding down the [DEMO/SONG] button, press the [+] or [-] button until the “*d01*” appears on the display.



### 2 Select a demo song.

Press the [+] or [-] button to select a song.

### 3 Start playback.

Press the [PLAY/STOP] button to start playback.

While a demo song is playing, press the [+] or [-] button to select and play the next or previous demo song.

### 4 Stop playback.

Press the [PLAY/STOP] button to stop playback.

Simply press the [DEMO/SONG] button to start playback of the demo song for the currently selected voice.

You can play the keyboard along with the demo song.

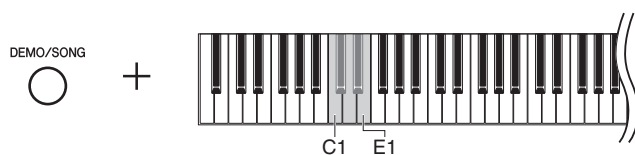
While a demo song is playing, press and hold down the [METRONOME] button and press the [+] or [-] button to change the song tempo.

If you are using the metronome (page 17) during demo song playback, press the [+] or [-] button to change the song tempo. You can also press keys to change the tempo.

The demo songs will not be transmitted via MIDI.

#### Select and start playback songs from the keyboard

If you wish to select a particular demo song, press one of the C1–E1 keys while holding down the [DEMO/SONG] button.



The selected demo song starts to play.

#### Demo Songs

Each of the voices features its own demo song that showcases the corresponding voice.

The *d01* and *d05* songs are re-arranged excerpts from the original compositions.

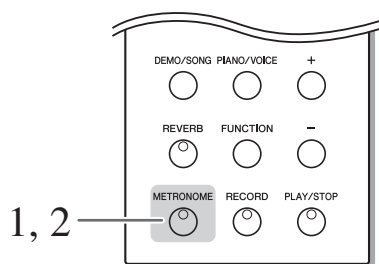
The other demo songs are Yamaha's original pieces (©2010 Yamaha Corporation).

Display	Key	Voice Name	Title	Composer
<i>d01</i>	C1	Grand Piano 1	Un sospiro, 3 Études de concert	F. Liszt
<i>d02</i>	C#1	Grand Piano 2	—	—
<i>d03</i>	D1	E.Piano 1	—	—
<i>d04</i>	D#1	E.Piano 2	—	—
<i>d05</i>	E1	Harpsichord	Concerto a cembalo obbligato, 2 violini, viola e continuo No.7, BWV.1058	J. S. Bach



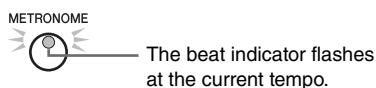
## Using the Metronome

This instrument features a built-in metronome (a device that keeps an accurate tempo) that is convenient for practicing.



### 1 Start the metronome.

Press the [METRONOME] button to turn on the metronome.



### 2 Stop the metronome.

Turn off the metronome by pressing the [METRONOME] button.

#### Adjusting the tempo

You can adjust the metronome tempo by pressing the [+] or [-] button while the metronome is playing.

- **To increase the tempo value in steps of one:**

While the metronome is playing, press the [+] button.

Alternatively, press the C#5 key while holding down the [METRONOME] button.

- **To decrease the tempo value in steps of one:**

While the metronome is playing, press the [-] button.

Alternatively, press the B4 key while holding down the [METRONOME] button.

- **To increase the tempo value in steps of ten:**

While holding down the [METRONOME] button, press the D5 key.

- **To decrease the tempo value in steps of ten:**

While holding down the [METRONOME] button, press the A#4 key.

- **To reset the tempo to default:**

While the metronome is playing, press the [+] and [-] buttons simultaneously.

Alternatively, press the C5 key while holding down the [METRONOME] button.



Setting range: 5 to 500 beats per minute  
Default setting: 120

The metronome tempo is restored to the default setting when the power is turned off.

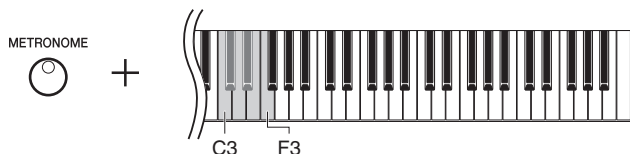
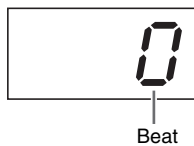
When the song is selected, it becomes the default tempo of the song automatically during playback.

To reset the tempo to default value while the metronome is stopped, press the [METRONOME], [+] and [-] buttons simultaneously.

### Adjusting the time signature

While holding down the [METRONOME] button, press one of the C3–F3 keys. The current setting appears on the display while both controls are held.

The first beat is accented with a bell sound and the rest with clicks. When the time signature is set to 0/4, clicks sound in all beats.



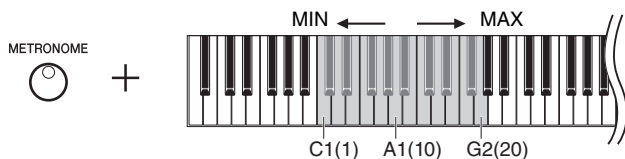
Display	Key	Beat
0	C3	0/4 (No downbeat)
2	C#3	2/4
3	D3	3/4
4	D#3	4/4
5	E3	5/4
6	F3	6/4

Default setting: 0/4 (No downbeat)

The time signature of the metronome is restored to the default setting when the power is turned off.

### Adjusting the volume

While holding down the [METRONOME] button, press one of the C1–G2 keys to determine the volume. The current metronome volume setting appears on the display while both controls are held.



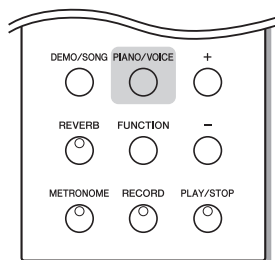
The volume level increases as you press higher keys.

Setting range: 1–20  
Default setting: 10

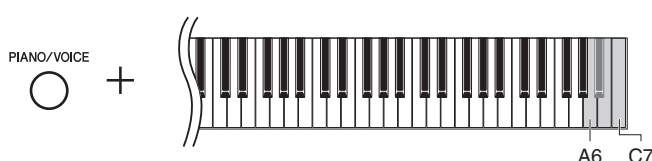
The metronome volume setting is retained even when the power is turned off.

## Adjusting the Keyboard Touch (Touch Sensitivity)

You can select four different types of keyboard touch sensitivity — **HARD**, **MEDIUM**, **SOFT** or **FIXED** — to match different playing styles and preferences.



While holding down the [PIANO/VOICE] button, press one of the A6–C7 keys to select the desired touch sensitivity. The current touch type setting appears on the display while both controls are held.



Display	Key	Touch Type	Description
OFF	A6	Fixed	All notes are produced at the same volume no matter how hard the keyboard is played.
1	A#6	Soft	Allows maximum loudness to be produced with relatively light key pressure.
2	B6	Medium	Produces a fairly "standard" keyboard response.
3	C7	Hard	Requires that the keys be played quite hard to produce maximum loudness.

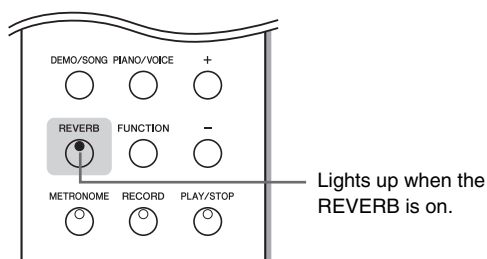
Default setting: 2 (Medium)

The touch type is restored to the default setting when the power is turned off.

This setting does not change the weight of the keyboard.

## Adding Variations to the Sound — Reverb

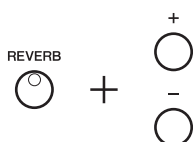
The reverb effect reproduces the realistic acoustic ambience of grand piano.



Press the [REVERB] button to switch the reverb on or off.

### Adjusting Reverb Depth

While holding down the [REVERB] button, press the [+] or [-] button to adjust the reverb depth. The current reverb depth setting appears on the display while both controls are held.



Setting range: 1–20

Default setting: 5

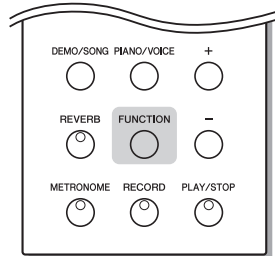
The reverb depth is restored to the default setting when the power is turned off.

To display the reverb depth setting, press just the [REVERB] button.

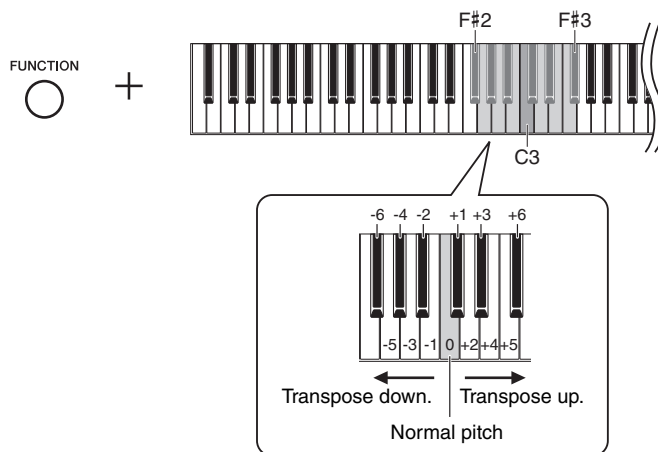
## Transposition

This instrument's Transpose function makes it possible to easily match the pitch of the keyboard in semitone intervals to the range of a singer or other instruments.

For example, if you set the transposition amount to "5," playing key C produces pitch F. In this way, you can play a song as though it were in C major, and this instrument will transpose it to F major.



While holding down the [FUNCTION] button, press one of the F#2–F#3 keys to set the desired amount of transposition. Holding down both controls shows the current amount of transposition.



Default setting: 0 (Normal pitch)

The transposition amount is restored to the default setting when the power is turned off.

- **To transpose the pitch down (in semitone steps):**

Press one of the F#2–B2 keys while holding the [FUNCTION] button.

- **To transpose the pitch up (in semitone steps):**

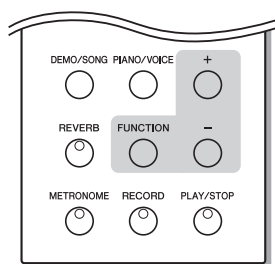
Press one of the C#3–F#3 keys while holding the [FUNCTION] button.

- **To initialize the normal pitch:**

Press the C3 key while holding the [FUNCTION] button.

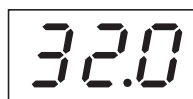
## Fine-tuning the Pitch

You can fine-tune the pitch of the entire instrument. This function is useful when you play this instrument along with other instruments or CD music.



- **To tune up (in about 0.2Hz steps):**

While holding down the [FUNCTION] button, press the [+] button. Holding down both buttons shows the current pitch setting (Hz).



Example: 432.0Hz

- **To tune down (in about 0.2Hz steps):**

While holding down the [FUNCTION] button, press the [-] button. Holding down both buttons shows the current pitch setting (Hz).

- **To restore standard pitch:**

While holding down the [FUNCTION] button, press the [+] and [-] buttons simultaneously. Holding down all three buttons shows the current pitch setting (Hz).

The tuning setting is retained even when the power is turned off.

**Hz (Hertz):**

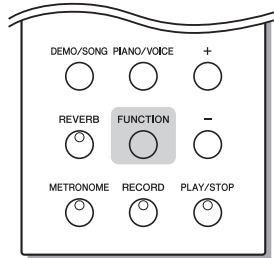
This unit of measurement refers to the frequency of a sound and represents the number of times a sound wave vibrates in a second.

Setting range: 414.8–466.8Hz (=A3)

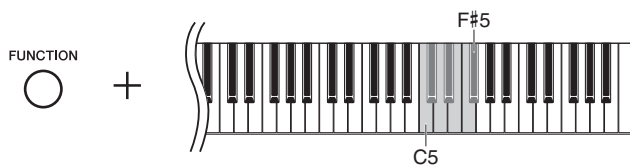
Default setting: 440.0Hz (=A3)

# Scale Tuning

You can select various scales. Equal Temperament is the most common contemporary piano tuning scale. However, history has known numerous other scales, many of which serve as the basis for certain genres of music. You can experience the tunings of these genres.



While holding down the [FUNCTION] button, press one of the C5–F#5 keys to select the scale. Holding down both controls shows the current scale setting.



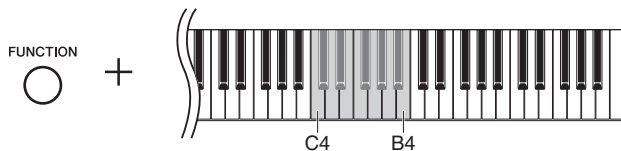
Display	Key	Scale	Description
1	C5	Equal	The pitch range of each octave is divided equally into twelve parts, with each half-step evenly spaced in pitch. This is the most commonly used tuning in music today.
2	C#5	Pure Major	These tunings preserve the pure mathematical intervals of each scale, especially for triad chords (root, third, fifth). You can hear this best in actual vocal harmonies — such as choirs and a capella singing.
3	D5	Pure Minor	
4	D#5	Pythagorean	This scale was devised by the famous Greek philosopher and is created from a series of perfect fifths, which are collapsed into a single octave. The 3rd in this tuning are slightly unstable, but the 4th and 5th are beautiful and suitable for some leads.
5	E5	Mean-Tone	This scale was created as an improvement on the Pythagorean scale, by making the major third interval more “in tune.” It was especially popular from the 16th century to the 18th century. Handel, among others, used this scale.
6	F5	Werckmeister	This composite scale combines the Werckmeister and Kirnberger systems, which were themselves improvements on the mean-tone and Pythagorean scales. The main feature of this scale is that each key has its own unique character. The scale was used extensively during the time of Bach and Beethoven, and even now it is often used when performing period music on the harpsichord.
7	F#5	Kirnberger	

Default setting: Equal

The scale is restored to the default setting when the power is turned off.

## Setting the Base Note for each scale

While holding down the [FUNCTION] button, press one of the C4–B4 keys. Holding down both controls shows the current base note setting.



Key	Base Note	Key	Base Note	Key	Base Note	Key	Base Note
C4	C	D#4	E♭	F#4	F#	A4	A
C#4	C#	E4	E	G4	G	A#4	B♭
D4	D	F4	F	G#4	A♭	B4	B

Example:



(Followed by a high bar if sharp)

(Followed by a low bar if flat)

Default setting: C

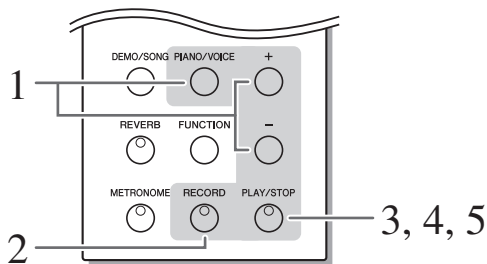
The base note is restored to the default setting when the power is turned off.

# Recording your Performance

This instrument's recording function enables you to record your performance. Follow the steps below to record and play back your performance.

## Audio recording and data recording

Cassette tape recordings use a different data format than this instrument. Cassette tapes record audio signals. On the other hand, this instrument records information about the notes and voices being played and about the timing and tempo of those notes. It does not record audio signals. When you play back a recorded performance on this instrument, its internal tone generator reproduces the sound according to the recorded information.



### 1 Select a voice for the recording.

While holding down the [PIANO/VOICE] button, press the [+] or [-] button to select the desired voice (page 15). Use the [MASTER VOLUME] control to adjust the volume to a comfortable listening level.

### 2 Engage the Record mode.

Press the [RECORD] button.



The [RECORD] button indicator lights up steadily, and the [PLAY/STOP] button indicator flashes.



Press the [RECORD] button again if you wish to cancel Record mode.

#### **NOTICE**

**After you've recorded a performance on this instrument, starting to record another performance will automatically erase the previously recorded data.**

You can also use the [MASTER VOLUME] control to adjust the volume level during playback.

You cannot engage the Record mode while another song, such as a demo song, is playing.

This instrument's internal memory allows the recording of one song (300KB; approx. 30,000 notes).

The recorded song data is retained even when the power is turned off.

The recorded song to the instrument can be saved to USB flash memory (page 25).

When a USB flash memory device is connected to the instrument, the performance is recorded to the USB flash memory directly.

If there is not enough recording capacity left, or if the files U00–U99 already exist in the USB flash memory, "FUL" will appear on the display and the Record mode cannot be engaged.

Before using a USB flash memory device, be sure to read "Precautions when using the USB [TO DEVICE] terminal" on page 26.

### 3 Start recording.

Recording starts as soon as you play the keyboard.  
Alternatively, press the [PLAY/STOP] button to start recording.



The [RECORD] button indicator and the [PLAY/STOP] button indicator light up.

### 4 Stop recording.

Press either the [RECORD] or [PLAY/STOP] button to stop recording.



Data writing will begin.

When the recording is finished, the “End” appears on the display for three seconds.



#### NOTICE

**Do not turn off the power to the instrument or disconnect the USB flash memory device, while the instrument is recording the data (while “- - -” is displayed ). Otherwise, all recorded data, including the data being recorded, will be lost.**

### 5 Play back the recorded performance.

Press the [PLAY/STOP] button to start playback of the recorded performance.

If the metronome was on when you started recording, you'll be able to keep time with the metronome while recording, but the metronome sound will not be recorded.

If the memory becomes full during recording, “FUL” will appear on the display and recording will stop automatically. (All recorded data up to that point will be retained.)

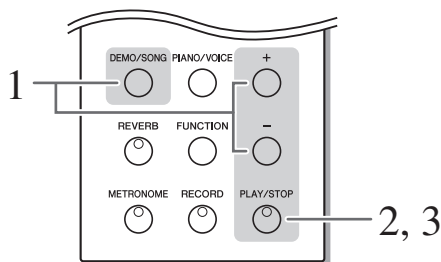
If you wish to erase previously recorded data to the instrument, press the [PLAY/STOP] button to start recording, then press it again to stop recording. Do not connect any USB device during this operation. The song data recorded to a USB flash memory device can be erased by using a computer.

When you record to a USB flash memory device directly, if you select another song or disconnect the USB device after recording, the recorded performance cannot be played back by pressing the [PLAY/STOP] button. Refer to “Listening to songs in USB Flash Memory” on page 27 to play back the song.

## Playing Back the Song Recorded to the Instrument

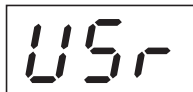
You can play back the song recorded to the instrument using the Record function (page 23). You can also play the keyboard along with the playback.

Refer to page 27 to playback the song recorded to a USB flash memory device.



### 1 Engage User Song mode.

While holding down the [DEMO/SONG] button, press the [+] or [-] button until “USR” appears on the display.



### 2 Start playback.

Press the [PLAY/STOP] button to start playback.

### 3 Stop playback.

Press the [PLAY/STOP] button again to stop playback.

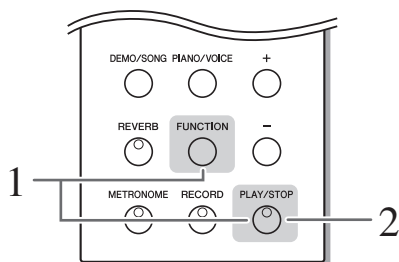
#### User song:

In this manual, the performance data recorded to this instrument is called a “User song”.



## Saving Your Recorded Performance to USB Flash Memory

The recorded user song data on this instrument can be saved to a USB flash memory device. Before using a USB flash memory device, be sure to read “Precautions when using the USB [TO DEVICE] terminal” on page 26.



### 1 Engage Saving mode.

Make sure that a USB flash memory device is connected to the instrument, then while holding the [FUNCTION] button, press the [PLAY/STOP] button.



“Uxx” (xx is a number) appears on the display after “SAV.”

If you wish to cancel saving, press any button other than [PLAY/STOP] button before you go on to the next step.

### 2 Save the data.

Press the [PLAY/STOP] button.



Data writing will begin.

When the saving is finished, “End” appears on the display for three seconds.

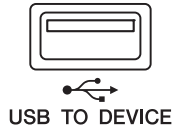
#### **NOTICE**

Do not turn off the power to the instrument or disconnect the USB flash memory device, while the instrument is saving the data to the USB device (while “- - -” is displayed). Otherwise, all data, including the data being saved, will be lost.

Songs recorded on this instrument are saved under the file names of “USER-SONGxx.mid” (xx is a number 00–99) in the “USER FILES” folder.

The number of available file containers is 100 (U00–U99).

## Precautions when using the USB [TO DEVICE] terminal



This instrument features a built-in USB [TO DEVICE] terminal for connection to USB storage devices. When connecting a USB device to the terminal, be sure to handle the USB device with care. Follow the important precautions below.

### NOTE

For more information about the handling of USB devices, refer to the owner's manual of the USB device.

### ■ Compatible USB devices

- USB storage devices (flash memory, etc.)

The instrument does not necessarily support all commercially available USB devices. Yamaha cannot guarantee operation of USB devices that you purchase. Before purchasing a USB device for use with this instrument, please visit the following web page: <http://music.yamaha.com/download/>

### NOTE

Other USB devices such as a computer keyboard or mouse cannot be used.

### ■ Connecting USB device

- When connecting a USB device to the USB [TO DEVICE] terminal, make sure that the connector on the device is appropriate and that it is connected in the proper direction.
- Though the instrument supports the USB 1.1 standard, you can connect and use a USB 2.0 storage device with the instrument. However, note that the transfer speed is that of USB 1.1.

## Using USB Storage Devices

By connecting the instrument to a USB storage device, you can save data you've created to the connected device, as well as read data from the connected device.

### NOTE

Although CD-R/RW drives can be used to read data to the instrument, they cannot be used for saving data.

### ■ The number of USB storage device to be used

Only one USB storage devices can be connected to the USB [TO DEVICE] terminal.

### ■ Formatting USB storage media

When accessing a USB storage device or media, a message may appear prompting you to format the device/media. If so, execute the Format operation (page 29).

### NOTICE

The format operation overwrites any previously existing data. Make sure that the media you are formatting does not contain important data.

### ■ To protect your data (write-protect)

To prevent important data from being inadvertently erased, apply the write-protect provided with each storage device or media. If you are saving data to the USB storage device, make sure to disable write-protect.

### ■ Connecting/removing USB storage device

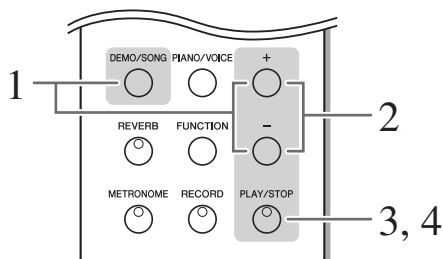
Before removing the media from the device, make sure that the instrument is not accessing data (such as in the Save and Format operations).

### NOTICE

Avoid frequently turning the power on/off to the USB storage device, or connecting/disconnecting the device too often. Doing so may result in the operation of the instrument "freezing" or hanging up. While the instrument is accessing data (such as during Save and Format operations) or is mounting the USB storage device (shortly after the connection), do NOT unplug the USB connector, do NOT remove the media from the device, and do NOT turn the power off to either device. Doing so may corrupt the data on either or both devices.

# Listening to songs in USB Flash Memory

You can conveniently connect a USB flash memory device to the instrument and listen to songs recorded to that device (on a computer). You can also save your recorded performances on the instrument to the connected device and play those songs back as well. Before using a USB flash memory, be sure to read “Precautions when using the USB [TO DEVICE] terminal” on page 26.



## 1 Engage the USB Song mode.

Make sure that the USB flash memory device is connected to the instrument. Then press the [+] or [-] button while holding the [DEMO/SONG] button until the message “Uxx” or “Fxx” (xx is a number 00–99) appears on the display. The message “Fxx” is displayed when no “Uxx” songs exist. If the USB flash memory device is not connected or there is no USB songs, neither “Uxx” nor “Fxx” appears.



## 2 Select a USB song.

Press the [+] or [-] button to select the song you want to play.

- *U00–U99* ..... Select the number of the desired USB song, that of the performance which you’ve recorded and saved using this instrument (page 25) and play the song.
- *F00–F99* ..... Select the number of the desired USB song, that which you’ve saved by using a computer and play the song.
- *URL* ..... Play all USB songs in sequence.
- *Ur d* ..... Play all USB songs continuously in random order.

## 3 Start playback.

Press the [PLAY/STOP] button to start playback.

## 4 Stop playback.

Press the [PLAY/STOP] button to stop playback.

### Character Code

If the song cannot be loaded, you may need to change the character code setting.

#### ● International

Files with western alphabetical names (including umlaut or diacritic marks) can be loaded (files with names in Japanese cannot be loaded). Turn the power on while holding the [FUNCTION] and [REVERB] buttons.

#### ● Japanese

Files with western alphabetical names and Japanese names can be loaded; however, file names including umlauts or diacritic marks cannot be loaded. Turn the power on while holding the [FUNCTION] and [METRONOME] buttons.

### USB song:

In this manual, the performance data saved to a USB flash memory device is called a “USB song.”

The display may not appear immediately, depending on the number of the folders in the USB flash memory.

Certain songs may take more time than others to start playback. Keep in mind that this also affects the time between playback of successively played songs.

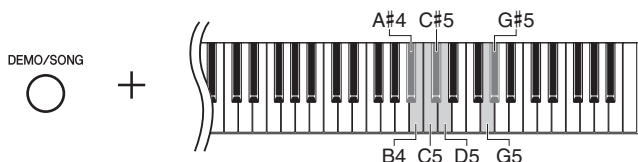
The playback voice can be changed. You can play the keyboard along with the USB song. The voice of the song played is assigned to the voice playing on the keyboard.

While a USB song is playing, hold down the [METRONOME] button and press the [+] or [-] button to change the song tempo. If you are using the metronome (page 17) during USB song playback, press the [+] or [-] button to change the song tempo. You can also press keys to change the tempo.

Default setting: International

### Selecting songs with the keyboard

- **Forward 1 song:**  
Press the C#5 key while holding down the [DEMO/SONG] button.
- **Rewind 1 song:**  
Press the B4 key while holding down the [DEMO/SONG] button.
- **Forward 10 songs:**  
Press the D5 key while holding down the [DEMO/SONG] button.
- **Rewind 10 songs:**  
Press the A#4 key while holding down the [DEMO/SONG] button.
- **Select the “Uxx” (xx is a number 00–99) song:**  
Press the C5 key while holding down the [DEMO/SONG] button.
- **Play back all:**  
Press the G5 key while holding down the [DEMO/SONG] button.
- **Play back randomly:**  
Press the G#5 key while holding down the [DEMO/SONG] button.



#### “Uxx”:

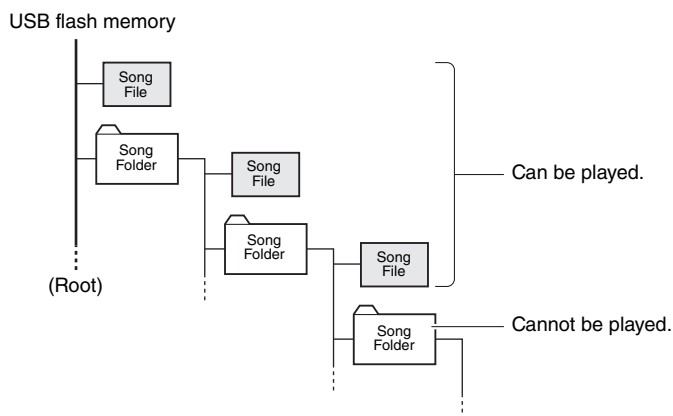
The smallest number among *U00-U99* is selected. If there are no any “Uxx” songs, the smallest number among *F00-F99* is selected.

If a USB flash memory device is not connected or there are no USB songs, the “U5r” song is selected.

### Data format

This instrument can play back files of SMF Format 0 and Format 1 (Standard MIDI file).

When playing songs copied to a USB flash memory device from a computer or other device, the songs must be stored either in the USB flash memory’s root directory or a first-level/second level folder in the root directory. Songs stored in these locations can be played as song data. Songs stored in third-level folders created inside a second-level folder cannot be played by this instrument.



When copying song data from computer to USB flash memory, make sure to save it by using SMF Format 0 and Format 1. Keep in mind that songs recorded on other devices may use a variety of voices not available on this instrument and hence may sound different than the original songs.

#### What is SMF (Standard MIDI File)?

The SMF (Standard MIDI File) format is one of the most common and widely compatible sequence formats used for storing sequence data. There are two variations: Format 0 and Format 1. A large number of MIDI devices are compatible with SMF Format 0, and most commercially available MIDI sequence data is provided in SMF Format 0.

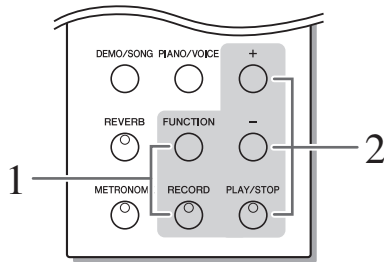
The user song is saved as SMF Format 0.

# Formatting USB Flash Memory

Certain USB flash memory devices may require formatting before they can be used by this instrument. Before using a USB flash memory device, be sure to read “Precautions when using the USB [TO DEVICE] terminal” on page 26.

## **NOTICE**

If you format a USB flash memory that already contains data, all of the data will be erased. Be careful not to erase important data when using the format function.



## 1 Engage the Format mode.

After connecting the USB flash memory device to be formatted to the instrument, press the [RECORD] button while holding the [FUNCTION] button.



The message “*F o r*” (Format) appears on the display.

The image shows a digital display with the word "For" in a stylized, lowercase font.

## 2 Start Formatting.

After pressing the [PLAY/STOP] button, a “*n y*” message appears on the display. Press the [+] button to execute the formatting operation. Press the [-] button to cancel formatting.



When the formatting is finished, “*E n d*” appears on the display for three seconds.

## **NOTICE**

Do not turn off the power to the instrument or disconnect the USB flash memory device, while the instrument is formatting the USB device (while “- - -” is displayed). Doing so may damage the data or the USB flash memory itself.

## 3 Exit from the Format mode.

Press any one of the buttons.

# Backing up Data and Initializing the Settings

## Backup data in internal memory

The following data will be saved to internal memory of the instrument. The data is maintained even when the power is turned off.

- Metronome volume (page 18)
- Fine-tuning of the pitch (page 21)
- Character code (page 27)
- User song data recorded to the instrument (page 23)

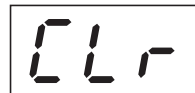
## Initializing the data

When you initialize the data, all data, excluding the character code setting and the User song, will be initialized and reset to the factory default settings.

While holding down the [METRONOME] button and the [REVERB] button, turn on the power to the instrument.



While the instrument is initializing the data, “CLr” appears on the display.



### **NOTICE**

**Do not turn off the power to this instrument while it is initializing the data in its internal memory (while “CLr” is displayed).**

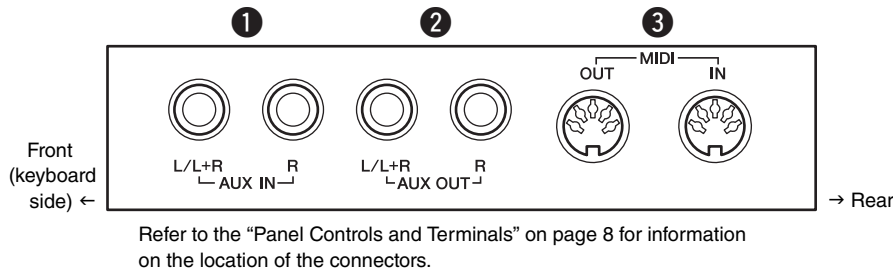
If this instrument somehow becomes disabled or malfunctions, turn off the power to the instrument, then perform the initialization procedure.

# Connections

## Connectors

### **⚠ CAUTION**

Before connecting the instrument to other electronic components, turn off the power to all the components. Before turning the power on or off to all components, set all volume levels to minimum (0). Otherwise, electrical shock or damage to the components may result.

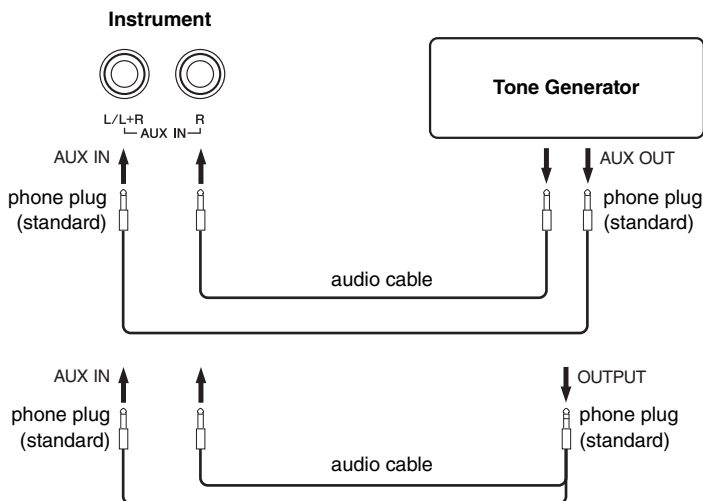


### **1** AUX IN [L/L+R] [R] jacks

The stereo outputs from another instrument can be connected to these jacks, allowing the sound of an external instrument to be reproduced via the N1's speakers. Refer to the diagram below and use audio cables to make the connections.

### **⚠ CAUTION**

When the instrument's AUX IN jacks are connected to an external device, first turn on the power to the external device, then to the instrument. Reverse this order when you turn the power off.



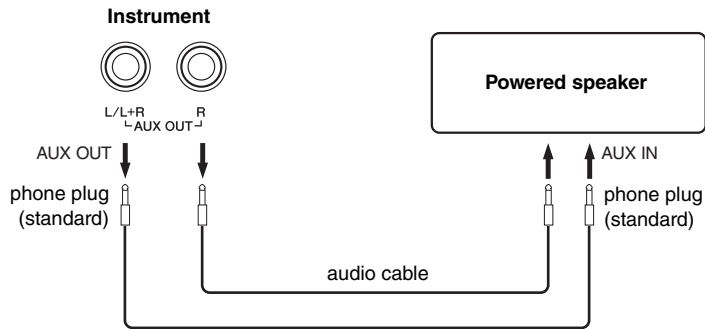
Use only the AUX IN [L/L+R] jack for connection with a mono device.

## 2 AUX OUT [L/L+R] [R] jacks

These jacks let you connect the instrument to external powered speaker systems, for playing in larger venues at higher volumes. Refer to the diagram below and use audio cables to make the connections.

### ⚠ CAUTION

When the instrument's AUX OUT jacks are connected to an external audio system, first turn on the power to the instrument, then to the external audio system. Reverse this order when you turn the power off.



## 3 MIDI [IN] [OUT] connectors

Use MIDI cables to connect external MIDI devices to these connectors. Refer to “About MIDI” on page 33 for more information.

Use audio cables and adaptor plugs with no resistance.

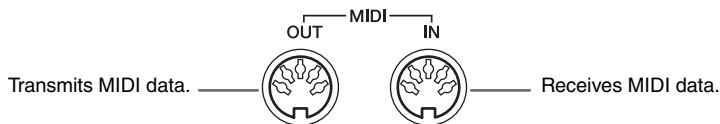
When the sound from the AUX OUT jacks is routed to the AUX IN jacks, the input sound will be output from the speaker of the instrument. The output sound may be excessively loud and may cause noise.

Use only the AUX OUT [L/L+R] jacks for connection with a mono device.



# About MIDI

MIDI (Musical Instrument Digital Interface) is a global format standard for performance data transmission and reception between electronic musical instruments. Connecting musical instruments that support MIDI via MIDI cables enables you to transfer performance and setting data between multiple musical instruments. Using MIDI, you can also achieve more advanced performances than using just a single musical instrument.



You need a dedicated MIDI cable (optional) to make a MIDI connection.

Since the transmission or reception of MIDI data can vary depending on the type of MIDI device, each MIDI device can transmit or receive only data and commands that are compatible with other connected MIDI devices.

Please check the "MIDI Implementation Chart" on the Data List to find out what MIDI data and commands your devices can transmit or receive. Refer to page 5 for the "Data List."

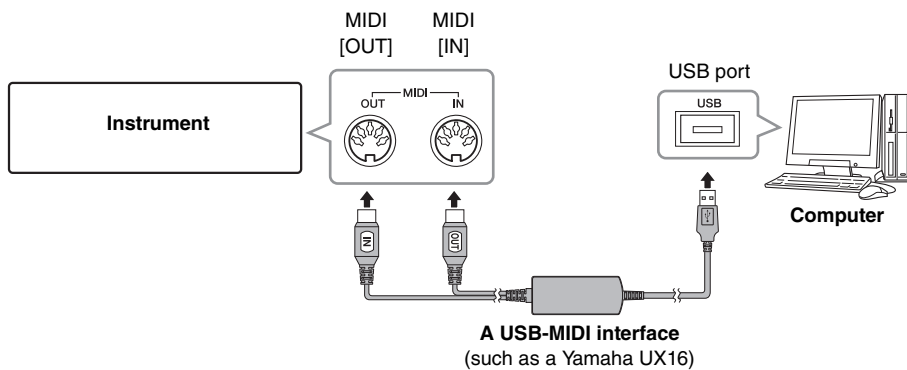
Voice demo and piano preset song data are not transmitted via MIDI.

## Connecting to a Computer

Connecting this instrument to a computer using the MIDI connectors enables you to transfer MIDI data between the instrument and the computer. For example, performance data of this instrument can be sent to and saved on the computer.

### **CAUTION**

When connecting the instrument to a computer, first turn off the power to both the instrument and the computer before connecting any cables. After making connections, turn on the power to the computer first, then to the instrument.



You must install a software application on the computer to be able to transfer MIDI data between this instrument and a computer.

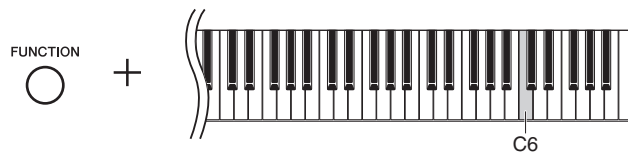
Use an optional USB-MIDI interface (such as a Yamaha UX16) to connect this instrument's MIDI connectors to the computer's USB port. You also need to install the USB-MIDI driver on the computer correctly to use the interface. For more information, refer to the user's manual that came with the USB interface device.

## Local Control On/Off

---

“Local Control” refers to the fact that, normally, the keyboard of this instrument controls its internal tone generator, allowing the internal voices to be played directly from the keyboard. This situation is “Local Control On,” since the internal tone generator is controlled locally by its own keyboard. Local control can be turned Off, however, so that the keyboard of this instrument does not play the internal voices, but the appropriate MIDI information is still transmitted via the MIDI OUT connector when notes are played on the keyboard. At the same time, the internal tone generator responds to MIDI information received via the MIDI IN connector.

While holding down the [FUNCTION] button, press the C6 key. Pressing the C6 key repeatedly toggles between Local Control On and Off.



# Message List

Message	Comment
<i>0 0 1</i>	Indicates failure in accessing the USB flash memory or media. → Disconnect the USB flash memory device or media and connect it again to the USB [TO DEVICE] terminal. If this message appears repeatedly, use another USB flash memory device or media.
<i>0 0 2</i>	Indicates that the song data cannot be loaded correctly.
<i>0 0 4</i>	Indicates that the song data is too large to be loaded.
<i>0 0 5</i>	The USB flash memory device or media has not been formatted. → Format the USB flash memory device or media after making sure on your computer that the USB flash memory or media you are formatting does not contain important data (page 29).
<i>0 0 6</i>	Indicates that the protected song data cannot be loaded.
<i>0 0 7</i>	There is no song data.
<i>0 0 8</i>	The USB flash memory device or media is not connected. → Connect a USB flash memory device or media to the USB [TO DEVICE] terminal.
<i>0 1 4</i>	Indicates failure in saving the file, because the same name folder exists in the USB flash memory device or media. → Change the folder name using your computer.
<i>0 2 0</i>	This USB device cannot be used. → Use only USB flash memory devices compatible with the instrument.
<i>0 2 2</i>	Displayed when the total amount of USB flash memory or USB hub has become too large. → Refer to "Using USB Storage Devices" on page 26.
<i>0 2 3</i>	Indicates failure in connecting the USB flash memory or media. → Disconnect the USB flash memory device or media and connect it again.
<i>0 2 4</i>	Communication with the USB device has been shut down because of the overcurrent to the USB device. → Disconnect the device from the USB [TO DEVICE] terminal, then turn on the power of the instrument.
<i>- - -</i>	Processing the current operation.
<i>ℓ ℓ r</i>	Initializing to the default settings.
<i>ℰ 5 3</i>	Indicates failure in setting the keyboard.
<i>ℰ 5 4</i>	→ Please contact your nearest Yamaha dealer or authorized distributor.
<i>ℰ n d</i>	Displayed when the current operation is completed.
<i>F U L</i>	Displayed when internal memory is full. Displayed when the total amount of files or folders has become too large. Displayed when the media is full.
<i>F o r</i>	Indicates that the instrument has engaged format mode for the USB storage device.
<i>n y</i>	Prompts you to confirm or cancel the formatting operation.
<i>P r o</i>	Indicates that the USB storage device or media is write-protected.

\* When an operation (such as saving or data transfer) is in process, the display shows a sequence of flashing dashes.

\* Press the [+ ] or [- ] button to exit from these message displays.

# Troubleshooting

Problem	Possible Cause and Solution
The instrument does not turn on.	The instrument has not been plugged in properly. Securely insert the female plug into the socket on the instrument, and the male plug into a proper AC outlet (page 9).
Noise is heard from the speakers or headphones.	The noise may be due to interference caused by the use of a mobile phone in close proximity to the instrument. Turn off the mobile phone, or use it further away from the instrument.
A click or pop is heard when the power is turned on or off.	Electrical current is being applied to the instrument. This is normal.
The overall volume is low, or no sound is heard.	<ul style="list-style-type: none"> <li>• The Volume is set too low: set it to an appropriate level using the [MASTER VOLUME] control (page 10).</li> <li>• Make sure a pair of headphones is not connected to the headphones jack (page 11).</li> <li>• Make sure that Local Control (page 34) is on.</li> </ul>
The pitch and/or tone of the Piano Voices in certain ranges do not sound right.	The Piano Voices attempt to precisely simulate actual piano sounds. However, as a result of sampling algorithms, overtones in some ranges may sound exaggerated, producing a somewhat different pitch or tone. This is normal, and no cause for concern.
Sound is not heard on a particular key.	Keyboard may not function normally if the key was pressed when the power was turned on. Turn off the power and turn it again to reset the function. Do not touch any keys when turning the power on (page 10).
Sound input to the AUX IN jacks is interrupted.	The output volume of the external device connected to this instrument is too low. Increase the output volume of the external device. The volume level reproduced via this instrument's speakers can be adjusted by using the [MASTER VOLUME] control.
The damper pedal has no effect.	<ul style="list-style-type: none"> <li>• The pedal cord may not be securely connected to the [PEDAL] jack. Be sure to insert the pedal cord all the way until the metal part of the cord plug disappears from view (page 38).</li> <li>• The damper pedal was pressed when the power was turned on. This is not a malfunction; press the pedal again to reset the function.</li> </ul>
The USB flash memory device has hung up (stopped).	<ul style="list-style-type: none"> <li>• Disconnect the device and connect it to the instrument again.</li> <li>• The USB flash memory is not compatible with the instrument. Only use the USB flash memory device whose compatibility has been confirmed by Yamaha (page 26).</li> </ul>

\* The message list (page 35) is also provided for your reference.

## Maintenance

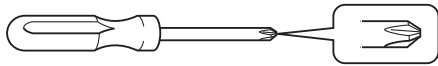
When the surface of the instrument loses luster, wipe the instrument evenly with a cloth moistened with some special piano cleaner. For more information, contact the store where you purchased the instrument.

# Assembling the Unit

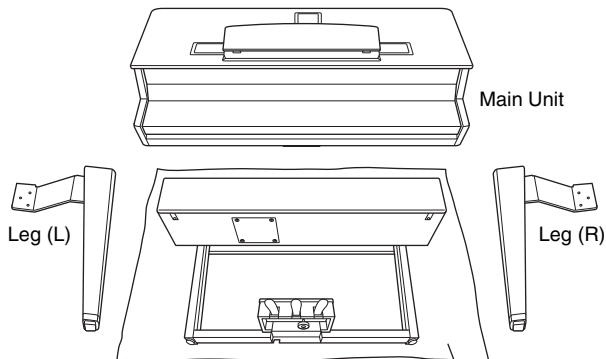
## ⚠ CAUTION

- Be careful not to confuse parts, and be sure to install all parts in the correct direction. Please assemble the unit in the appropriate sequence.
- Assembly should be carried out by at least two persons.
- Be sure to use only the included screws. Do not use any other screws. Inappropriate screws may cause damage or malfunction of the product. Be sure to insert screws of the proper size in the correct hole locations.
- Be sure to tighten all screws upon completing assembly of each unit.
- To disassemble, reverse the assembly sequence.

Have a Phillips-head (+) screwdriver of the appropriate size ready.



Remove all parts other than the main unit from the box. Confirm that all parts shown in the illustration are provided. Do not remove the main unit from the box prior to step 3.

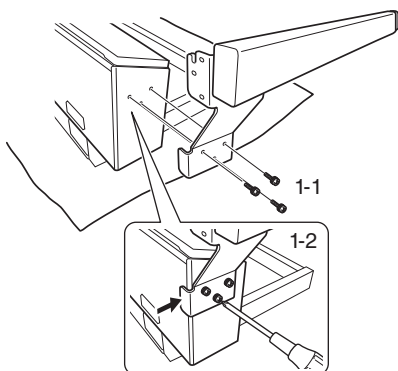


Be sure to lay the packaging sheet or other protective sheet on the floor and under the instrument.

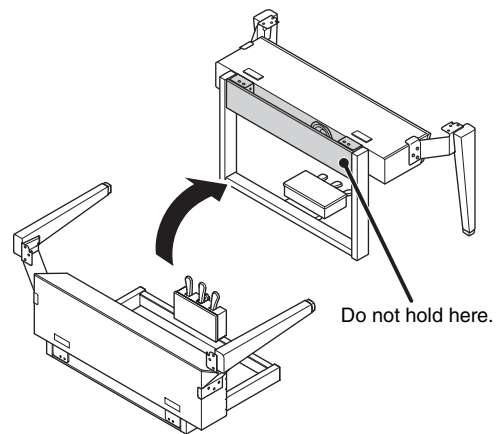


## 1 Attach the legs to the speaker box.

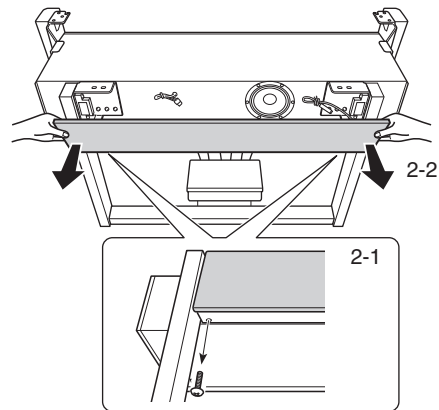
- 1-1 Attach the leg (L) to the side of the speaker box using three short screws (6 x 20 mm).
- 1-2 While pressing the bracket on the leg against the speaker box, securely tighten the screws that were attached.
- 1-3 Follow the same steps to attach the leg (R).



- 1-4 Raise the speaker box.



## 2 Detach the speaker net.



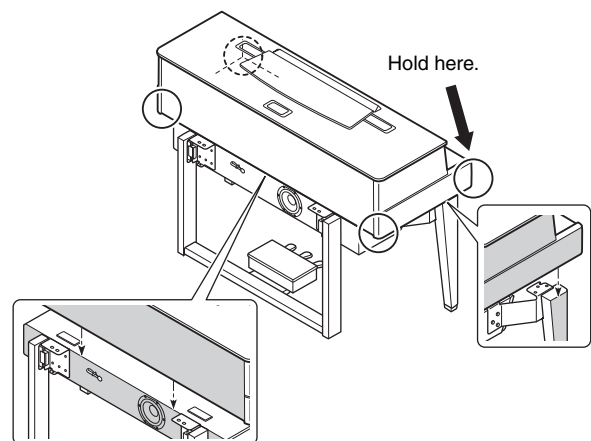
- 2-1 Remove the two screws. These screws are used in step 6.
- 2-2 Detach the speaker net.

## 3 Mount the main unit.

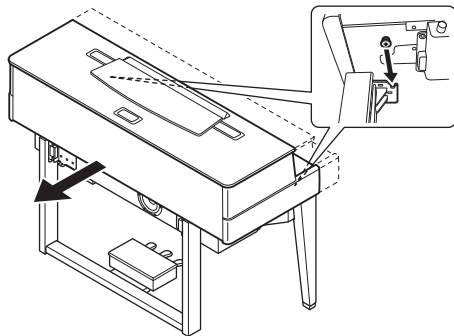
- 3-1 Mount the main unit on the speaker box while aligning the rear of the main unit with the rear of the speaker box, and each lateral side of the main unit with the lateral side of the legs.

## ⚠ CAUTION

Be careful not to pinch your fingers when mounting the main unit.

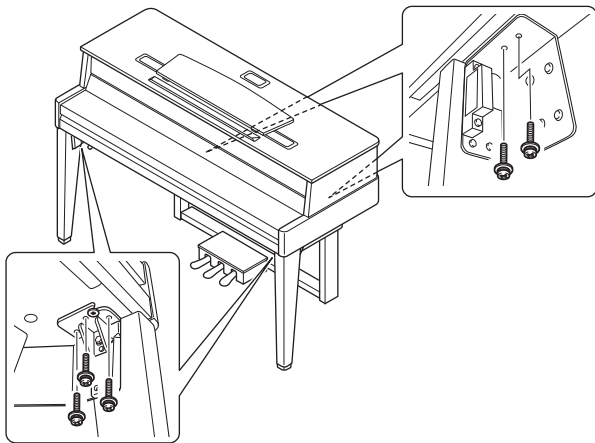


3-2 Move the main unit slightly toward the rear side, then adjust its position so that the projecting pin on the metal brackets on the bottom of the main unit will lock into the notch on the metal brackets of the legs (L/R).

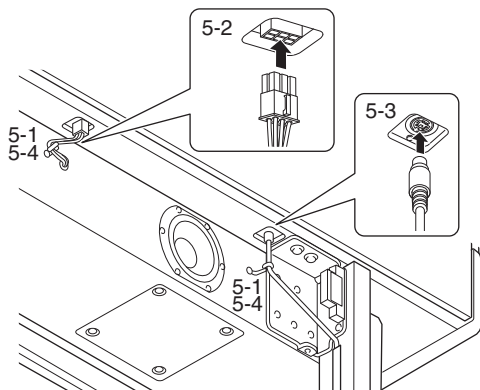


**4 Secure the main unit.**

Secure the main unit using ten long screws (6 x 30 mm).



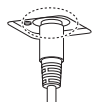
**5 Connect the speaker cord and pedal cord.**



- 5-1 Remove the vinyl tie attaching the speaker cord and pedal cord.
- 5-2 Insert the speaker cord plug into the connector so that the tab extends toward the front when viewed from the rear.
- 5-3 Insert the pedal cord plug into the pedal connector in the correct orientation.

**Connecting the pedal cord**

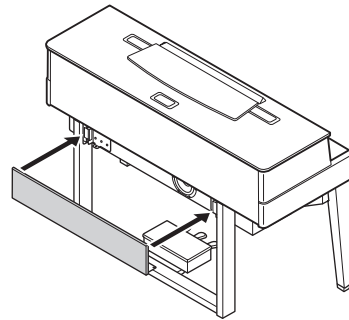
Insert the pedal cord securely until the metal part of the cord plug disappears from view. Otherwise, the pedal may not function properly.



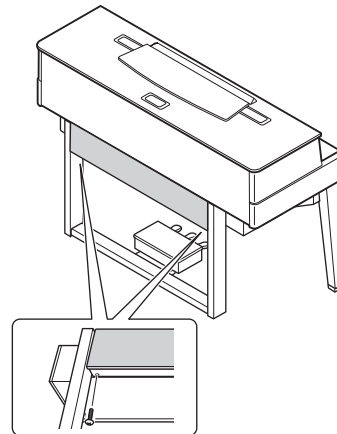
- 5-4 Use vinyl ties to bundle the speaker cord and pedal cord.

**6 Attach the speaker net.**

6-1 Attach the speaker net.

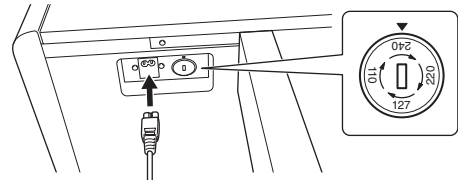


6-2 Affix the speaker net with the screws unloosed at step 2.

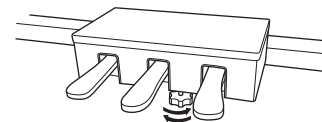


**7 Insert the AC power cord plug into the AC INLET.**

For models that feature a voltage selector: Set the voltage selector to an appropriate voltage.



**8 Rotate the adjuster until it comes in firm contact with the floor surface.**



**After completing the assembly, please check the following.**

- Are there any parts left over?
  - Review the assembly procedure and correct any errors.
- Is the instrument clear of doors and other movable fixtures?
  - Move the instrument to an appropriate location.
- Does the instrument make a rattling noise when you shake it?
  - Tighten all screws.
- Is the power cord inserted securely into the sockets?
  - Check the connection.
- If the main unit creaks or is otherwise unsteady when you play on the keyboard, refer to the assembly diagrams and retighten all screws.

# Specifications

Size/Weight	Dimensions	Width	1,465mm (57-11/16")
		Height	995mm (39-3/16") With music rest: 1,170mm (46-1/16")
		Depth	618mm (24-5/16")
	Weight	124kg (273lbs., 6oz)	
Control Interface	Keyboard	Number of Keys	88 (A-1–C7)
		White	Acrylic resin
		Black	Phenolic resin
		Touch Sensitivity	Fixed/Soft/Medium/Hard
	Sensor System	Hammer Sensors	Non-contact optical fiber
		Key Sensors	Non-contact optical fiber
	Pedal	Number of Pedals	3
		Half Pedal	Yes
Functions		Damper (with half-pedal effect), Sostenuto, Soft	
Cabinet	Fallboard	Yes	
	Music Rest	Yes	
Voices	Tone Generation	Tone Generation Technology	Spatial Acoustic Sampling
		Stereo Sustain Samples	Yes
		Key-off Samples	Yes
		String Resonance	Yes
	Polyphony	Number of Polyphony (Max.)	256
Preset	Number of Voices	5	
Effects	Types	Reverb	Yes
Songs	Preset	Number of Songs	10 preset songs, 5 voice demo songs
	Recording	Number of Songs	1 song (300KB; approx. 30,000 notes)
		Number of Tracks	1
Functions	Overall Controls	Metronome	Yes
		Tempo	Yes
		Transpose	Yes
		Tuning	Yes
		Scale Type	7 types
Connectivity	Connectors	MIDI	IN/OUT
		Headphones	PHONES x 2
		AUX IN	[L/L+R] [R]
		AUX OUT	[L/L+R] [R]
		USB TO DEVICE	Yes
Amplifiers and Speakers	Amplifiers	25W x 1 + 30W x 5	
	Speakers	8cm x 3 + 13cm x 2 + 16cm x 1	
Accessories	Included Accessories	Owner's Manual, AC Power Cord, Felt Key Cover, Bench (included or optional depending on locale), My Yamaha Product User Registration	

\* Specifications and descriptions in this owner's manual are for information purposes only. Yamaha Corp. reserves the right to change or modify products or specifications at any time without prior notice. Since specifications, equipment or options may not be the same in every locale, please check with your Yamaha dealer.

## Optional Accessories

Headphones	HPE-160
USB-MIDI Interface	UX16

# Index

## A

AC IN .....	9
Accessories .....	5
Assembly .....	37
AUX IN .....	31
AUX OUT .....	32

## B

Backup .....	30
Base Note .....	22

## C

Character Code .....	27
Connectors .....	31

## D

Data format .....	28
Data List .....	5
Demo Song .....	16
DEMO/SONG .....	13, 16, 24, 27
Display .....	8

## F

Fallboard .....	9
Formatting .....	29
FUNCTION .....	20, 21, 22, 34

## H

Headphone .....	11
-----------------	----

## I

Initializing .....	30
--------------------	----

## K

Key cover -> Fallboard .....	9
------------------------------	---

## L

Local Control .....	34
---------------------	----

## M

MASTER VOLUME .....	10
Message List .....	35
METRONOME .....	17
Metronome .....	17
MIDI .....	33
Music rest .....	12

## P

Pedals .....	11
PHONES .....	11
PIANO/VOICE .....	15
Pitch .....	21
PLAY/STOP .....	13, 16, 24, 27
Playback	
Demo Song .....	16
Preset Song .....	13
USB song .....	27
User song .....	24
Power .....	10
Precautions .....	6
Preset Song .....	13

## Q

Quick Operation Guide .....	43
-----------------------------	----

## R

Recording .....	23
Reverb .....	19

## S

Saving .....	25
Scale .....	22
Specifications .....	39

## T

Tempo .....	17
Time signature .....	18
Touch Sensitivity .....	19
Transposition .....	20
Troubleshooting .....	36
Tuning .....	22

## U

USB Song .....	27
USB storage device .....	26
USB TO DEVICE .....	26
User song .....	24

## V

Voice .....	15
Voice Demo .....	16
Volume	
Master Volume .....	10
Metronome Volume .....	18



## Information for Users on Collection and Disposal of Old Equipment



This symbol on the products, packaging, and/or accompanying documents means that used electrical and electronic products should not be mixed with general household waste. For proper treatment, recovery and recycling of old products, please take them to applicable collection points, in accordance with your national legislation and the Directives 2002/96/EC.

By disposing of these products correctly, you will help to save valuable resources and prevent any potential negative effects on human health and the environment which could otherwise arise from inappropriate waste handling.

For more information about collection and recycling of old products, please contact your local municipality, your waste disposal service or the point of sale where you purchased the items.

### **[For business users in the European Union]**

If you wish to discard electrical and electronic equipment, please contact your dealer or supplier for further information.

### **[Information on Disposal in other Countries outside the European Union]**

This symbol is only valid in the European Union. If you wish to discard these items, please contact your local authorities or dealer and ask for the correct method of disposal.

(weee\_eu)

## FCC INFORMATION (U.S.A.)

### 1. IMPORTANT NOTICE: DO NOT MODIFY THIS UNIT!

This product, when installed as indicated in the instructions contained in this manual, meets FCC requirements. Modifications not expressly approved by Yamaha may void your authority, granted by the FCC, to use the product.

### 2. IMPORTANT:

When connecting this product to accessories and/or another product use only high quality shielded cables. Cable/s supplied with this product MUST be used. Follow all installation instructions. Failure to follow instructions could void your FCC authorization to use this product in the USA.

### 3. NOTE:

This product has been tested and found to comply with the requirements listed in FCC Regulations, Part 15 for Class "B" digital devices. Compliance with these requirements provides a reasonable level of assurance that your use of this product in a residential environment will not result in harmful interference with other electronic devices. This equipment generates/uses radio frequencies and, if not installed and used according to the instructions found in the users manual, may cause interference harmful to the operation of other electronic

devices. Compliance with FCC regulations does not guarantee that interference will not occur in all installations. If this product is found to be the source of interference, which can be determined by turning the unit "OFF" and "ON", please try to eliminate the problem by using one of the following measures:

Relocate either this product or the device that is being affected by the interference.

Utilize power outlets that are on different branch (circuit breaker or fuse) circuits or install AC line filter/s.

In the case of radio or TV interference, relocate/reorient the antenna. If the antenna lead-in is 300 ohm ribbon lead, change the lead-in to co-axial type cable.

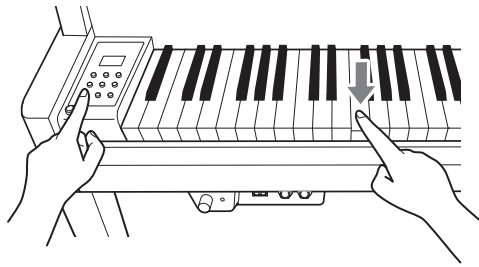
If these corrective measures do not produce satisfactory results, please contact the local retailer authorized to distribute this type of product. If you can not locate the appropriate retailer, please contact Yamaha Corporation of America, Electronic Service Division, 6600 Orangethorpe Ave, Buena Park, CA90620

The above statements apply ONLY to those products distributed by Yamaha Corporation of America or its subsidiaries.

\* This applies only to products distributed by YAMAHA CORPORATION OF AMERICA.

(class B)

# Quick Operation Guide / Übersicht über die Kurzbefehle



While holding down the button on the control panel, press one of the corresponding keys shown below to select songs, or set parameters.

- |   |  |
|---|--|
| <b>1</b> Voice Demo Playback (→p.16)          | <b>9</b> Metronome Volume (→p.18)          |
| <b>2</b> Preset Song Playback (→p.14)         | <b>10</b> Metronome Time Signature (→p.18) |
| <b>3</b> Preset Song Playback: all (→p.14)    | <b>11</b> Metronome/Song Tempo (→p.17)     |
| <b>4</b> Preset Song Playback: random (→p.14) | <b>12</b> Transpose (→p.20)                |
| <b>5</b> User Song Playback (→p.24)           | <b>13</b> Base Note (→p.22)                |
| <b>6</b> USB Song Playback (→p.27)            | <b>14</b> Scale (→p.22)                    |
| <b>7</b> USB Song Playback: all (→p.27)       | <b>15</b> Local Control on/off (→p.34)     |
| <b>8</b> USB Song Playback: random (→p.27)    | <b>16</b> Touch Sensitivity (→p.19)        |

Um Songs auszuwählen oder Parameter einzustellen, halten Sie die Bedienfeldtaste gedrückt und schlagen Sie gleichzeitig eine der betreffenden nachstehend gezeigten Tastaturtasten an.

- |  |   |
|--|---|
| <b>1</b> Voice-Demo-Wiedergabe (→S.16)                         | <b>8</b> USB-Song-Wiedergabe: zufällige Reihenfolge (→S.27) |
| <b>2</b> Preset-Song-Wiedergabe (→S.14)                        | <b>9</b> Metronomlautstärke (→S.18)                         |
| <b>3</b> Preset-Song-Wiedergabe: alle nacheinander (→S.14)     | <b>10</b> Metronom-Taktart (→S.18)                          |
| <b>4</b> Preset-Song-Wiedergabe: zufällige Reihenfolge (→S.14) | <b>11</b> Metronom-/Song-Tempo (→S.17)                      |
| <b>5</b> User-Song-Wiedergabe (→S.24)                          | <b>12</b> Transponierung (→S.20)                            |
| <b>6</b> USB-Song-Wiedergabe (→S.27)                           | <b>13</b> Grundton (→S.22)                                  |
| <b>7</b> USB-Song-Wiedergabe: alle nacheinander (→S.27)        | <b>14</b> Skala (→S.22)                                     |
|  | <b>15</b> Lokale Steuerung ein/aus (→S.34)                  |
|  | <b>16</b> Anschlagempfindlichkeit (→S.19)                   |

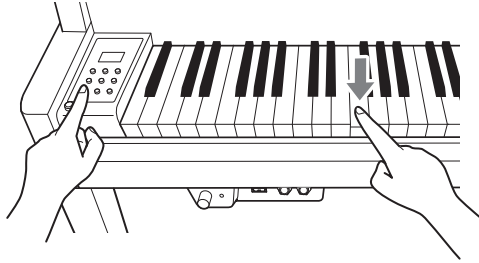
**DEMO/SONG** +

**METRONOME** +

**FUNCTION** +

**16** PIANO/VOICE +

# Guide de fonctionnement rapide / Guía de funcionamiento rápida



Tout en maintenant les touches du panneau de commande enfoncées, appuyez sur l'une des touches ci-dessous pour sélectionner un morceau ou régler un paramètre.

- |  |   |
|--|---|
| <b>1</b> Reproduction de voix de démonstration (→p. 16)                | <b>8</b> Reproduction de morceaux USB : aléatoire (→p. 27)        |
| <b>2</b> Reproduction de morceaux présélectionnés (→p. 14)             | <b>9</b> Volume du métronome (→p. 18)                             |
| <b>3</b> Reproduction de morceaux présélectionnés : tous (→p. 14)      | <b>10</b> Type de mesure du métronome (→p. 18)                    |
| <b>4</b> Reproduction de morceaux présélectionnés : aléatoire (→p. 14) | <b>11</b> Tempo du métronome/morceau (→p. 17)                     |
| <b>5</b> Reproduction de morceaux utilisateur (→p. 24)                 | <b>12</b> Transposition (→p. 20)                                  |
| <b>6</b> Reproduction de morceaux USB (→p. 27)                         | <b>13</b> Note fondamentale (→p. 22)                              |
| <b>7</b> Reproduction de morceaux USB : tous (→p. 27)                  | <b>14</b> Gamme (→p. 22)  |
|  | <b>15</b> Activation/désactivation de la commande locale (→p. 34) |
|  | <b>16</b> Sensibilité au toucher (→p. 19)                         |

Pulse el botón del panel de control y, sin soltarlo, pulse cualquiera de las teclas correspondientes indicadas a continuación para seleccionar canciones o configurar parámetros.

- |   |   |
|---|---|
| <b>1</b> Reproducción de demostración de voz (→pág.16)            | <b>8</b> Reproducción de canción USB: aleatoria (→pág.27)     |
| <b>2</b> Reproducción de canción predefinida (→pág.14)            | <b>9</b> Volumen del metrónomo (→pág.18)                      |
| <b>3</b> Reproducción de canción predefinida: todas (→pág.14)     | <b>10</b> Compás del metrónomo (→pág.18)                      |
| <b>4</b> Reproducción de canción predefinida: aleatoria (→pág.14) | <b>11</b> Tempo de metrónomo/canción (→pág.17)                |
| <b>5</b> Reproducción de canción del usuario (→pág.24)            | <b>12</b> Transposición (→pág.20)                             |
| <b>6</b> Reproducción de canción USB (→pág.27)                    | <b>13</b> Nota base (→pág.22)                                 |
| <b>7</b> Reproducción de canción USB: todas (→pág.27)             | <b>14</b> Escala (→pág.22)                                    |
|   | <b>15</b> Activación/desactivación de Local Control (→pág.34) |
|   | <b>16</b> Sensibilidad a la pulsación (→pág.19)               |

**DEMO/SONG** +

**METRONOME** +

**FUNCTION** +

**16** PIANO/VOICE +

# Important Notice: Guarantee Information for customers in European Economic Area (EEA) and Switzerland

<b>Important Notice: Guarantee Information for customers in EEA* and Switzerland</b>	<b>English</b>
For detailed guarantee information about this Yamaha product, and Pan-EEA* and Switzerland warranty service, please either visit the website address below (Printable file is available at our website) or contact the Yamaha representative office for your country. * EEA: European Economic Area	
<b>Wichtiger Hinweis: Garantie-Information für Kunden in der EWR* und der Schweiz</b>	<b>Deutsch</b>
Für nähere Garantie-Information über dieses Produkt von Yamaha, sowie über den Pan-EWR*- und Schweizer Garantieservice, besuchen Sie bitte entweder die folgend angegebene Internetadresse (eine druckfähige Version befindet sich auch auf unserer Webseite), oder wenden Sie sich an den für Ihr Land zuständigen Yamaha-Vertrieb. *EWR: Europäischer Wirtschaftsraum	
<b>Remarque importante: informations de garantie pour les clients de l'EEE et la Suisse</b>	<b>Français</b>
Pour des informations plus détaillées sur la garantie de ce produit Yamaha et sur le service de garantie applicable dans l'ensemble de l'EEE ainsi qu'en Suisse, consultez notre site Web à l'adresse ci-dessous (le fichier imprimable est disponible sur notre site Web) ou contactez directement Yamaha dans votre pays de résidence. * EEE : Espace Economique Européen	
<b>Belangrijke mededeling: Garantie-informatie voor klanten in de EER* en Zwitserland</b>	<b>Nederlands</b>
Voor gedetailleerde garantie-informatie over dit Yamaha-product en de garantieservice in heel de EER* en Zwitserland, gaat u naar de onderstaande website (u vindt een afdrukbaar bestand op onze website) of neemt u contact op met de vertegenwoordiging van Yamaha in uw land. * EER: Europese Economische Ruimte	
<b>Aviso importante: información sobre la garantía para los clientes del EEE* y Suiza</b>	<b>Español</b>
Para una información detallada sobre este producto Yamaha y sobre el soporte de garantía en la zona EEE* y Suiza, visite la dirección web que se incluye más abajo (la versión del archivo para imprimir esta disponible en nuestro sitio web) o póngase en contacto con el representante de Yamaha en su país. * EEE: Espacio Económico Europeo	
<b>Avviso importante: informazioni sulla garanzia per i clienti residenti nell'EEA* e in Svizzera</b>	<b>Italiano</b>
Per informazioni dettagliate sulla garanzia relativa a questo prodotto Yamaha e l'assistenza in garanzia nei paesi EEA* e in Svizzera, potete consultare il sito Web all'indirizzo riportato di seguito (è disponibile il file in formato stampabile) oppure contattare l'ufficio di rappresentanza locale della Yamaha. * EEA: Area Economica Europea	
<b>Aviso importante: informações sobre as garantias para clientes da AEE* e da Suíça</b>	<b>Português</b>
Para obter uma informação pormenorizada sobre este produto da Yamaha e sobre o serviço de garantia na AEE* e na Suíça, visite o site a seguir (o arquivo para impressão está disponível no nosso site) ou entre em contato com o escritório de representação da Yamaha no seu país. * AEE: Área Económica Europeia	
<b>Σημαντική σημείωση: Πληροφορίες εγγύησης για τους πελάτες στον ΕΟΧ* και Ελλάδα</b>	<b>Ελληνικά</b>
Για λεπτομερείς πληροφορίες εγγύησης σχετικά με το παρόν προϊόν της Yamaha και την κάλυψη εγγύησης σε όλες τις χώρες του ΕΟΧ και την Ελλάδα, επισκεφτείτε την παρακάτω ιστοσελίδα (Εκτυπώσιμη μορφή είναι διαθέσιμη στην ιστοσελίδα μας) ή απευθυνθείτε στην αντιπροσωπεία της Yamaha στη χώρα σας. * ΕΟΧ: Ευρωπαϊκός Οικονομικός Χώρος	
<b>Viktigt: Garantiinformation för kunder i EES-området* och Schweiz</b>	<b>Svenska</b>
För detaljerad information om denna Yamahaprodukt samt garantiservice i hela EES-området* och Schweiz kan du antingen besöka nedanstående webbadress (en utskriftsvänlig fil finns på webbplatsen) eller kontakta Yamahas officiella representant i ditt land. * EES: Europeiska Ekonomiska Samarbetsområdet	
<b>Viktig merknad: Garantiinformasjon for kunder i EØS* og Sveits</b>	<b>Norsk</b>
Detaljert garantiinformasjon om dette Yamaha-produktet og garantiservice for hele EØS-området* og Sveits kan fås enten ved å besøke nettstedene nedenfor (utskriftsversjon finnes på våre nettsider) eller kontakte kontakte Yamaha-kontoret i landet der du bor. *EØS: Det europeiske økonomiske samarbeidsområdet	
<b>Vigtig oplysning: Garantioplysninger til kunder i EØO* og Schweiz</b>	<b>Dansk</b>
De kan finde detaljerede garantioplysninger om dette Yamaha-produkt og den fælles garantiserviceordning for EØO* (og Schweiz) ved at besøge det websted, der er angivet nedenfor (der findes en fil, som kan udskrives, på vores websted), eller ved at kontakte Yamahas nationale repræsentationskontor i det land, hvor De bor. * EØO: Det Europæiske Økonomiske Område	

<b>Tärkeä ilmoitus: Takuutiedot Euroopan talousalueen (ETA)* ja Sveitsin asiakkaille</b>	<b>Suomi</b>
Tämän Yamaha-tuotteen sekä ETA-alueen ja Sveitsin takuuta koskevat yksityiskohtaiset tiedot saatte alla olevasta nettiosoitteesta. (Tulostettava tiedosto saatavissa sivustollamme.) Voitte myös ottaa yhteyttä paikalliseen Yamaha-edustajaan. *ETA: Euroopan talousalue	
<b>Ważne: Warunki gwarancyjne obowiązujące w EOG* i Szwajcarii</b>	<b>Polski</b>
Aby dowiedzieć się więcej na temat warunków gwarancyjnych tego produktu firmy Yamaha i serwisu gwarancyjnego w całym EOG* i Szwajcarii, należy odwiedzić wskazaną poniżej stronę internetową (Plik gotowy do wydruku znajduje się na naszej stronie internetowej) lub skontaktować się z przedstawicielstwem firmy Yamaha w swoim kraju. * EOG — Europejski Obszar Gospodarczy	
<b>Důležité oznámení: Záruční informace pro zákazníky v EHS* a ve Švýcarsku</b>	<b>Česky</b>
Podrobné záruční informace o tomto produktu Yamaha a záručním servisu v celém EHS* a ve Švýcarsku naleznete na níže uvedené webové adrese (soubor k tisku je dostupný na našich webových stránkách) nebo se můžete obrátit na zastoupení firmy Yamaha ve své zemi. * EHS: Evropský hospodářský prostor	
<b>Fontos figyelemztetés: Garancia-információk az EGT* területén és Svájcban élő vásárlók számára</b>	<b>Magyar</b>
A jelen Yamaha termékre vonatkozó részletes garancia-információk, valamint az EGT*-re és Svájcra kiterjedő garanciális szolgálatás tekintetében keresse fel webhelyünket az alábbi címen (a webhelyen nyomtatható fájl is található), vagy pedig lépjen kapcsolatba az országában működő Yamaha képviselői irodával. * EGT: Európai Gazdasági Térség	
<b>Oluline märkus: Garantiiteave Euroopa Majanduspiirkonna (EMP)* ja Šveitsi klientidele</b>	<b>Eesti keel</b>
Täpsema teabe saamiseks selle Yamaha toote garantii ning kogu Euroopa Majanduspiirkonna ja Šveitsi garantiiteeninduse kohta, külastage palun veebisaiti alljärgneval aadressil (meie saidil on saadaval prinditav fail) või pöörduge Teie regiooni Yamaha esinduse poole. * EMP: Euroopa Majanduspiirkond	
<b>Svarīgs paziņojums: garantijas informācija klientiem EEZ* un Šveicē</b>	<b>Latviešu</b>
Lai saņemtu detalizētu garantijas informāciju par šo Yamaha produktu, kā arī garantijas apkalpošanu EEZ* un Šveicē, lūdzu, apmeklējiet zemāk norādīto tīmekļa vietnes adresi (tīmekļa vietnē ir pieejams drukājams fails) vai sazinieties ar jūsu valsti apkalpojošo Yamaha pārstāvniecību. * EEZ: Eiropas Ekonomikas zona	
<b>Děmesio: informacija dėl garantijos pirkėjams EEE* ir Šveicarijoje</b>	<b>Lietuvių kalba</b>
Jei reikia išsamios informacijos apie šį „Yamaha“ produktą ir jo techninę priežiūrą visoje EEE* ir Šveicarijoje, apsilankykite mūsų svetainėje toliau nurodytu adresu (svetainėje yra spausdintinas failas) arba kreipkitės į „Yamaha“ atstovybę savo šaliai. *EEE – Europos ekonominė erdvė	
<b>Dôležité upozornenie: Informácie o záruke pre zákazníkov v EHP* a Švajčiarsku</b>	<b>Slovenčina</b>
Podrobné informácie o záruke týkajúce sa tohto produktu od spoločnosti Yamaha a garančnom servise v EHP* a Švajčiarsku nájdete na webovej stránke uvedenej nižšie (na našej webovej stránke je k dispozícii súbor na tlač) alebo sa obráťte na zástupcu spoločnosti Yamaha vo svojej krajine. * EHP: Európsky hospodársky priestor	
<b>Pomembno obvestilo: Informacije o garanciji za kupce v EGP* in Švici</b>	<b>Slovenščina</b>
Za podrobnejše informacije o tem Yamahinem izdelku ter garancijskem servisu v celotnem EGP in Švici, obiščite spletno mesto, ki je navedeno spodaj (natisljiva datoteka je na voljo na našem spletnem mestu), ali se obrnite na Yamahinega predstavnika v svoji državi. * EGP: Evropski gospodarski prostor	
<b>Важно съобщение: Информация за гаранцията за клиенти в ЕИП* и Швейцария</b>	<b>Български език</b>
За подробна информация за гаранцията за този продукт на Yamaha и гаранционното обслужване в паневропейската зона на ЕИП* и Швейцария или посетете посочения по-долу уеб сайт (на нашия уеб сайт има файл за печат), или се свържете с представителния офис на Yamaha във вашата страна. * ЕИП: Европейско икономическо пространство	
<b>Notificare importantă: Informații despre garanție pentru clienții din SEE* și Elveția</b>	<b>Limba română</b>
Pentru informații detaliate privind acest produs Yamaha și serviciul de garanție Pan-SEE* și Elveția, vizitați site-ul la adresa de mai jos (fișierul imprimabil este disponibil pe site-ul nostru) sau contactați biroul reprezentanței Yamaha din țara dumneavoastră. * SEE: Spațiul Economic European	

<http://europe.yamaha.com/warranty/>

For details of products, please contact your nearest Yamaha representative or the authorized distributor listed below.

Pour plus de détails sur les produits, veuillez-vous adresser à Yamaha ou au distributeur le plus proche de vous figurant dans la liste suivante.

Die Einzelheiten zu Produkten sind bei Ihrer unten aufgeführten Niederlassung und bei Yamaha Vertragshändlern in den jeweiligen Bestimmungsländern erhältlich.

Para detalles sobre productos, contacte su tienda Yamaha más cercana o el distribuidor autorizado que se lista debajo.

## NORTH AMERICA

### CANADA

**Yamaha Canada Music Ltd.**  
135 Milner Avenue, Scarborough, Ontario,  
M1S 3R1, Canada  
Tel: 416-298-1311

### U.S.A.

**Yamaha Corporation of America**  
6600 Orangethorpe Ave., Buena Park, Calif. 90620,  
U.S.A.  
Tel: 714-522-9011

## CENTRAL & SOUTH AMERICA

### MEXICO

**Yamaha de México S.A. de C.V.**  
Calz. Javier Rojo Gómez #1149,  
Col. Guadalupe del Moral  
C.P. 09300, México, D.F., México  
Tel: 55-5804-0600

### BRAZIL

**Yamaha Musical do Brasil Ltda.**  
Rua Joaquim Floriano, 913 - 4º andar, Itaim Bibi,  
CEP 04534-013 Sao Paulo, SP. BRAZIL  
Tel: 011-3704-1377

### ARGENTINA

**Yamaha Music Latin America, S.A.  
Sucursal de Argentina**  
Olga Cossetini 1553, Piso 4 Norte  
Madero Este-C1107CEK  
Buenos Aires, Argentina  
Tel: 011-4119-7000

### PANAMA AND OTHER LATIN AMERICAN COUNTRIES/ CARIBBEAN COUNTRIES

**Yamaha Music Latin America, S.A.**  
Torre Banco General, Piso 7, Urbanización Marbella,  
Calle 47 y Aquilino de la Guardia,  
Ciudad de Panamá, Panamá  
Tel: +507-269-5311

## EUROPE

### THE UNITED KINGDOM/IRELAND

**Yamaha Music Europe GmbH (UK)**  
Sherbourne Drive, Tilbrook, Milton Keynes,  
MK7 8BL, England  
Tel: 01908-366700

### GERMANY

**Yamaha Music Europe GmbH**  
Siemensstraße 22-34, 25462 Rellingen, Germany  
Tel: 04101-3030

### SWITZERLAND/LIECHTENSTEIN

**Yamaha Music Europe GmbH  
Branch Switzerland in Zürich**  
Seefeldstrasse 94, 8008 Zürich, Switzerland  
Tel: 044-387-8080

### AUSTRIA

**Yamaha Music Europe GmbH Branch Austria**  
Schleiergasse 20, A-1100 Wien, Austria  
Tel: 01-60203900

### CZECH REPUBLIC/HUNGARY/ ROMANIA/SLOVAKIA/SLOVENIA

**Yamaha Music Europe GmbH  
Branch Austria (Central Eastern Europe Office)**  
Schleiergasse 20, A-1100 Wien, Austria  
Tel: 01-602039025

### POLAND/LITHUANIA/LATVIA/ESTONIA

**Yamaha Music Europe GmbH  
Branch Sp.z o.o. Oddział w Polsce**  
ul. 17 Stycznia 56, PL-02-146 Warszawa, Poland  
Tel: 022-500-2925

### BULGARIA

**Dinacord Bulgaria LTD.**  
Bul. Iskarsko Schose 7 Targowski Zentar Ewropa  
1528 Sofia, Bulgaria  
Tel: 02-978-20-25

### MARTA

**Olimpus Music Ltd.**  
The Emporium, Level 3, St. Louis Street Msida  
MSD06  
Tel: 02133-2144

### THE NETHERLANDS/ BELGIUM/LUXEMBOURG

**Yamaha Music Europe Branch Benelux**  
Clarissenhof 5-b, 4133 AB Vianen, The Netherlands  
Tel: 0347-358 040

### FRANCE

**Yamaha Music Europe**  
7 rue Ambroise Croizat, Zone d'activités Pariest,  
77183 Croissy-Beaubourg, France  
Tel: 01-64-61-4000

### ITALY

**Yamaha Music Europe GmbH, Branch Italy**  
Viale Italia 88, 20020 Lainate (Milano), Italy  
Tel: 02-935-771

### SPAIN/PORTUGAL

**Yamaha Music Europe GmbH Ibérica, Sucursal  
en España**  
Ctra. de la Coruna km. 17, 200, 28230  
Las Rozas (Madrid), Spain  
Tel: 91-639-8888

### GREECE

**Philippos Nakas S.A. The Music House**  
147 Skiathou Street, 112-55 Athens, Greece  
Tel: 01-228 2160

### SWEDEN

**Yamaha Music Europe GmbH Germany filial  
Scandinavia**  
J. A. Wettergrens Gata 1, Box 30053  
S-400 43 Göteborg, Sweden  
Tel: 031 89 34 00

### DENMARK

**Yamaha Music Europe GmbH, Tyskland – filial  
Denmark**  
Generatorvej 6A, DK-2730 Herlev, Denmark  
Tel: 44 92 49 00

### FINLAND

**F-Musiikki Oy**  
Kluuvikatu 6, P.O. Box 260,  
SF-00101 Helsinki, Finland  
Tel: 09 618511

### NORWAY

**Yamaha Music Europe GmbH Germany -  
Norwegian Branch**  
Grini Næringspark 1, N-1345 Østerås, Norway  
Tel: 67 16 77 70

### ICELAND

**Skifan HF**  
Skeifan 17 P.O. Box 8120, IS-128 Reykjavik, Iceland  
Tel: 525 5000

### RUSSIA

**Yamaha Music (Russia)**  
Room 37, bld. 7, Kievskaya street, Moscow,  
121059, Russia  
Tel: 495 626 5005

### OTHER EUROPEAN COUNTRIES

**Yamaha Music Europe GmbH**  
Siemensstraße 22-34, 25462 Rellingen, Germany  
Tel: +49-4101-3030

## AFRICA

**Yamaha Corporation,  
Asia-Pacific Sales & Marketing Group**  
Nakazawa-cho 10-1, Naka-ku, Hamamatsu,  
Japan 430-8650  
Tel: +81-53-460-2313

## MIDDLE EAST

### TURKEY/CYPRUS

**Yamaha Music Europe GmbH**  
Siemensstraße 22-34, 25462 Rellingen, Germany  
Tel: 04101-3030

### OTHER COUNTRIES

**Yamaha Music Gulf FZE**  
LOB 16-513, P.O.Box 17328, Jubel Ali,  
Dubai, United Arab Emirates  
Tel: +971-4-881-5868

## ASIA

### THE PEOPLE'S REPUBLIC OF CHINA

**Yamaha Music & Electronics (China) Co., Ltd.**  
2F, Yunhedasha, 1818 Xinzha-lu, Jingan-qu,  
Shanghai, China  
Tel: 021-6247-2211

### HONG KONG

**Tom Lee Music Co., Ltd.**  
11/F., Silvercord Tower 1, 30 Canton Road,  
Tsimshatsui, Kowloon, Hong Kong  
Tel: 2737-7688

### INDIA

**Yamaha Music India Pvt. Ltd.**  
5F Ambience Corporate Tower Ambience Mall Complex  
Ambience Island, NH-8, Gurgaon-122001, Haryana, India  
Tel: 0124-466-5551

### INDONESIA

**PT. Yamaha Musik Indonesia (Distributor)  
PT. Nusantik**  
Gedung Yamaha Music Center, Jalan Jend. Gatot  
Subroto Kav. 4, Jakarta 12930, Indonesia  
Tel: 021-520-2577

### KOREA

**Yamaha Music Korea Ltd.**  
8F, 9F, Dongsung Bldg. 158-9 Samsung-Dong,  
Kangnam-Gu, Seoul, Korea  
Tel: 02-3467-3300

### MALAYSIA

**Yamaha Music (Malaysia) Sdn., Bhd.**  
Lot 8, Jalan Perbandaran, 47301 Kelana Jaya,  
Petaling Jaya, Selangor, Malaysia  
Tel: 03-78030900

### PHILIPPINES

**Yupango Music Corporation**  
339 Gil J. Puyat Avenue, P.O. Box 885 MCPO,  
Makati, Metro Manila, Philippines  
Tel: 819-7551

### SINGAPORE

**Yamaha Music (Asia) Pte., Ltd.**  
#03-11 A-Z Building  
140 Paya Lebar Road, Singapore 409015  
Tel: 6747-4374

### TAIWAN

**Yamaha KHS Music Co., Ltd.**  
3F, #6, Sec.2, Nan Jing E. Rd. Taipei.  
Taiwan 104, R.O.C.  
Tel: 02-2511-8688

### THAILAND

**Siam Music Yamaha Co., Ltd.**  
4, 6, 15 and 16th floor, Siam Motors Building,  
891/1 Rama 1 Road, Wangmai,  
Pathumwan, Bangkok 10330, Thailand  
Tel: 02-215-2622

### OTHER ASIAN COUNTRIES

**Yamaha Corporation,  
Asia-Pacific Sales & Marketing Group**  
Nakazawa-cho 10-1, Naka-ku, Hamamatsu,  
Japan 430-8650  
Tel: +81-53-460-2313

## OCEANIA

### AUSTRALIA

**Yamaha Music Australia Pty. Ltd.**  
Level 1, 99 Queensbridge Street, Southbank,  
Victoria 3006, Australia  
Tel: 3-9693-5111

### NEW ZEALAND

**Music Works LTD**  
P.O. BOX 6246 Wellesley, Auckland 4680,  
New Zealand  
Tel: 9-634-0099

### COUNTRIES AND TRUST TERRITORIES IN PACIFIC OCEAN

**Yamaha Corporation,  
Asia-Pacific Sales & Marketing Group**  
Nakazawa-cho 10-1, Naka-ku, Hamamatsu,  
Japan 430-8650  
Tel: +81-53-460-2313



AvantGrand Special Site  
<http://www.avant-grand.com/>

Yamaha Home Keyboards Home Page  
<http://music.yamaha.com/homekeyboard/>

Yamaha Manual Library  
<http://www.yamaha.co.jp/manual/>

U.R.G., Digital Musical Instruments Division  
© 2010 Yamaha Corporation

109POAPx.x-xxC0  
Printed in China

WV41250